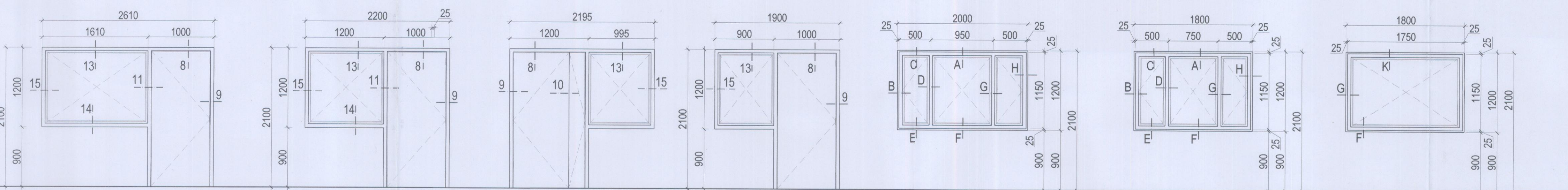
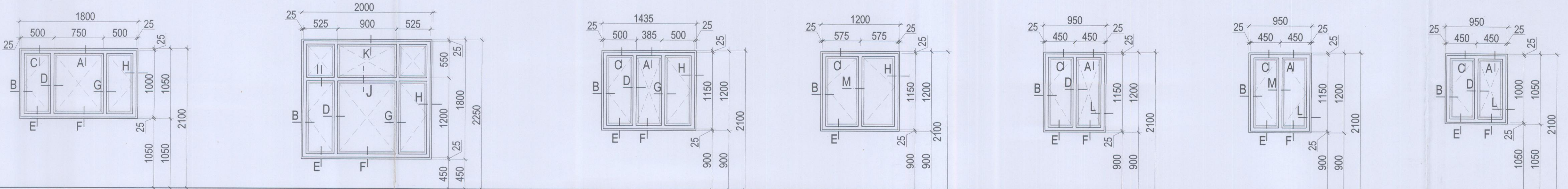


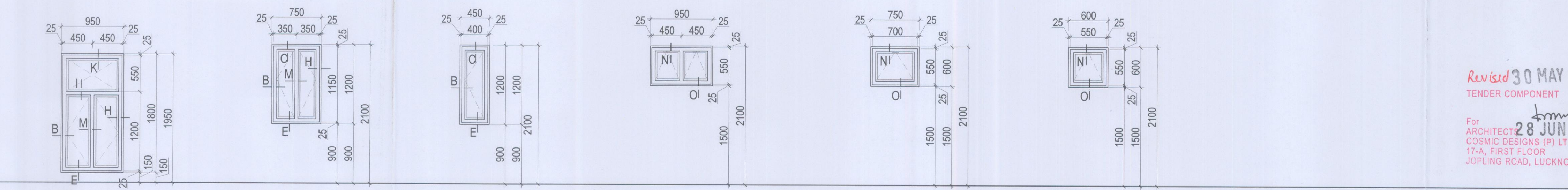
D1 [1350X2100] D2 [1200X2100] D3 [1200X2100] D4 [1000 X2100] D5 [900 X2100] D6 [750 X2100] D7 [600 X2100] DW1 [3935 X2100] DW2 [2800 X2100]



DW3 [2610X2100] DW4 [2200X2100] DW5 [2195 X2100] DW6 [1900 X2100] W1 [2000X1200] W2 [1800X1200] W3 [1800X1200]



W4 [1800X1050] W5 [2000X1800] W6 [1435X1200] W7 [1200X1200] W8 [950X1200] W9 [950X1200] W10 [950X1050]



W11 [950X1800] W12 [750X1200] W13 [450X1200] V1 [950 X600] (TOP HUNG OPENING OUT) V2 [750 X600] (TOP HUNG OPENING OUT) V3 [600 X600] (TOP HUNG OPENING OUT)

**NOTES**

1. ALL DIMENSIONS ARE IN MM.
2. WRITTEN DIMENSIONS SHALL BE FOLLOWED.
3. ANY DISCREPANCY IN THIS DRAWING SHALL BE BROUGHT TO THE NOTICE OF THE ARCHITECT BEFORE EXECUTION.
4. THIS DRAWING IS THE PROPERTY OF THE ARCHITECT AND SHALL NOT BE USED OR REPRODUCED WITHOUT PERMISSION.
5. THE DRAWINGS ARE INDICATIVE OF ARCHITECTURAL DESIGNS ONLY. DETAILED SHOP DRAWINGS SHALL BE PROCURED FROM THE SUPPLIER.
6. THE CHANGES IN THE MATERIAL OF WINDOWS, DOORS & SOME PORTION OF GLASS HAS BEEN UNDER TAKEN ON ORDERS FROM THE INSTITUTE.
7. COPPER SHADED, 20 MICRON, ANODIZED ALUMINIUM HANDLES AND TOWER BOLTS AS PER THE SAMPLE APPROVED BY THE INSTITUTE SHALL BE USED IN WINDOWS.
8. FRICTION HINGES SHALL BE USED IN WINDOWS WHEREVER REQUIRED.
9. FOR HARDWARE REFER DRG. NO. 1404/AL/1012/R0 DATED-30.05.11

**SCHEDULE OF OPENINGS:**

S/J NO.	TYPE	SIZE		SILL	LINTEL
		OVERALL	DOOR WINDOW		
1.	D1	1350 X2100	1350	-	2100
2.	D2	1200X2100	1200	-	2100
3.	D3	1200 X2100	1200	-	2100
4.	D4	1000 X2100	1000	-	2100
5.	D5	900 X2100	900	-	2100
6.	D6	750 X2100	750	-	2100
7.	D7	600 X2100	600	-	2100
8.	DW1	3935X2100	2000	967.5	300 2100 2100
9.	DW2	2800X2100	1000	1800	900 2100 2100
10.	DW3	2610X2100	1000	1610	900 2100 2100
11.	DW4	2200X2100	1000	1200	900 2100 2100
12.	DW5	2195X2100	1200	995	900 2100 2100
13.	DW6	1900X2100	1000	900	900 2100 2100
14.	W1	2000X1200	-	2000	900 - 2100
15.	W2	1800X1200	-	1800	900 - 2100
16.	W3	1800X1200	-	1800	900 - 2100
17.	W4	1800X1050	-	1800	1050 - 2100
18.	W5	1800X1800	-	1800	600 - 2250
19.	W6	1435X1200	-	1435	900 - 2100
20.	W7	1200X1200	-	1200	900 - 2100
21.	W8	950X1200	-	950	900 - 2100
22.	W9	950X1200	-	950	900 - 2100
23.	W10	950X1050	-	950	1050 - 2100
24.	W11	950X1800	-	950	150 - 1950
25.	W12	750X1200	-	750	900 - 2100
26.	W13	450X1200	-	450	900 - 2100
27.	V1	950X600	-	950	1500 - 2100
28.	V2	750X600	-	750	1500 - 2100
29.	V3	600X600	-	600	1500 - 2100
30.	FD1	1500X2100	1500	-	2100 -
31.	FD2	1230X2000	1230	-	100 2100 -
32.	FD3	1200X2000	1200	-	100 2100 -

R2	27/06/11	DRG MODIFIED FOR REVISED TENDER DOCUMENT
R1	30/05/11	DRG MODIFIED FOR REVISED TENDER DOCUMENT

REV NO. DATE REMARK

PROJECT:  
INDIAN INSTITUTE OF SCIENCE  
EDUCATION & RESEARCH  
AT MOHALI, PUNJAB

BUILDING:  
HEALTH CENTER

DRG TITLE:  
DOOR & WINDOW SCHEDULE

NORTH	DATE	DRAWING NO.
	02/02/11	1404/AL/1011/R2
SCALE		
1:40		

ARCHITECT- D.S.BHUI  
COSMIC DESIGNS PVT. LTD.  
17-A, JOPLING ROAD, LUCKNOW  
PH: 0522-2207652

Revised 30 MAY 2011  
TENDER COMPONENT  
For ARCHITECTS  
COSMIC DESIGNS (P) LTD.  
17-A, FIRST FLOOR  
JOPLING ROAD, LUCKNOW  
28 JUN 2011