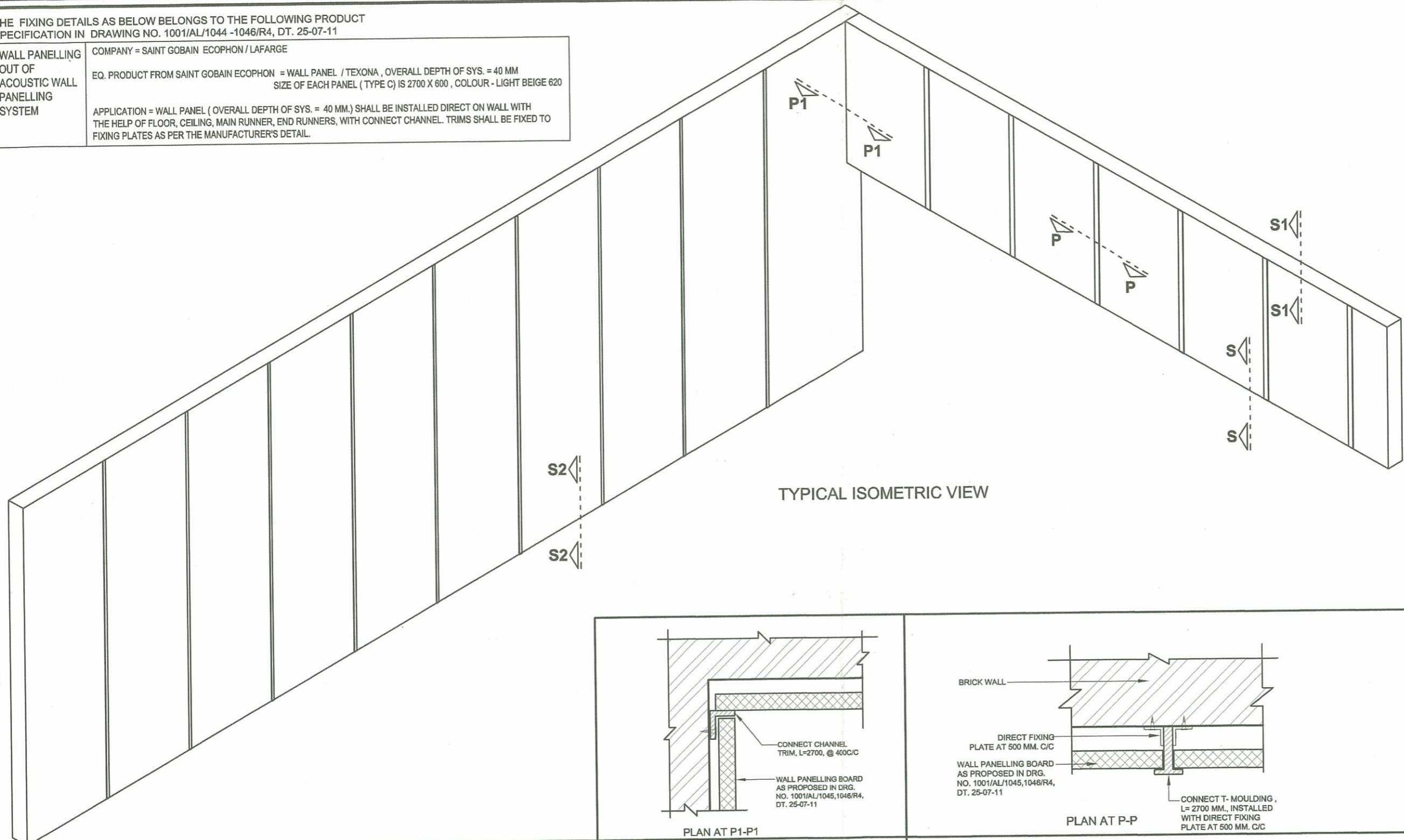


THE FIXING DETAILS AS BELOW BELONGS TO THE FOLLOWING PRODUCT SPECIFICATION IN DRAWING NO. 1001/AL/1044 -1046/R4, DT. 25-07-11

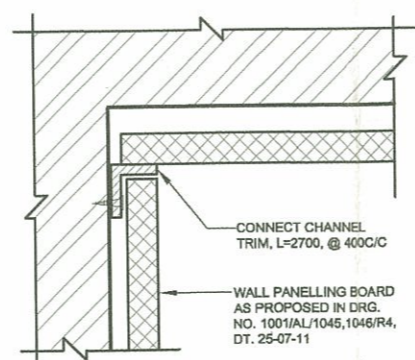
WALL PANELLING OUT OF ACOUSTIC WALL PANELLING SYSTEM

COMPANY = SAINT GOBAIN ECOPHON / LAFARGE  
 EQ. PRODUCT FROM SAINT GOBAIN ECOPHON = WALL PANEL / TEXONA , OVERALL DEPTH OF SYS. = 40 MM  
 SIZE OF EACH PANEL ( TYPE C ) IS 2700 X 600 , COLOUR - LIGHT BEIGE 620  
 APPLICATION = WALL PANEL ( OVERALL DEPTH OF SYS. = 40 MM.) SHALL BE INSTALLED DIRECT ON WALL WITH THE HELP OF FLOOR, CEILING, MAIN RUNNER, END RUNNERS, WITH CONNECT CHANNEL. TRIMS SHALL BE FIXED TO FIXING PLATES AS PER THE MANUFACTURER'S DETAIL.

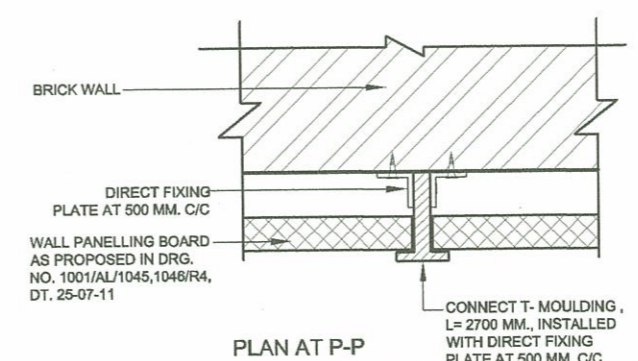


TYPICAL ISOMETRIC VIEW

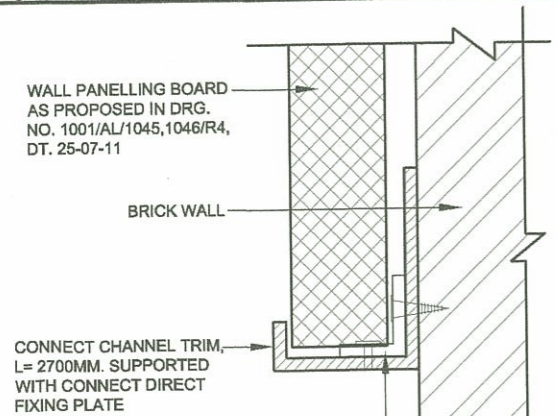
- NOTES**
1. ALL DIMENSIONS ARE IN MM.
  2. WRITTEN DIMENSIONS SHALL BE FOLLOWED.
  3. ANY DISCREPANCY IN THIS DRAWING SHALL BE BROUGHT TO THE NOTICE OF THE ARCHITECT BEFORE EXECUTION.
  4. THIS DRAWING IS THE PROPERTY OF THE ARCHITECT AND SHALL NOT BE USED OR REPRODUCED WITHOUT PERMISSION.
  5. THIS DRG. SHALL BE READ IN CONJUNCTION WITH DRG. 1001/AL/1045,1046/R4, DT.25-07-11
  6. ALL STEEL SECTIONS FIXED TO THE BEAM/ WALL SHALL BE THROUGH FISCHER RAWL PLUGS OR EQUIVALENT.



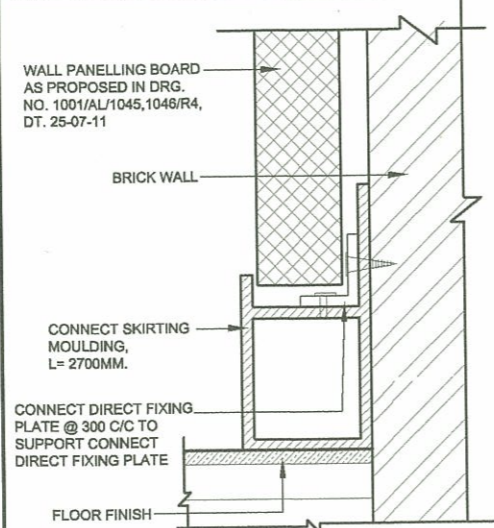
PLAN AT P1-P1



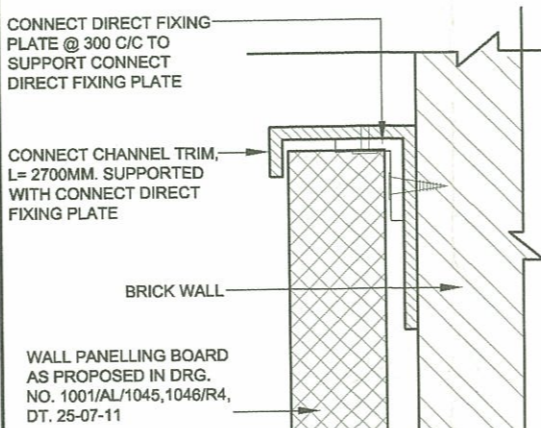
PLAN AT P-P



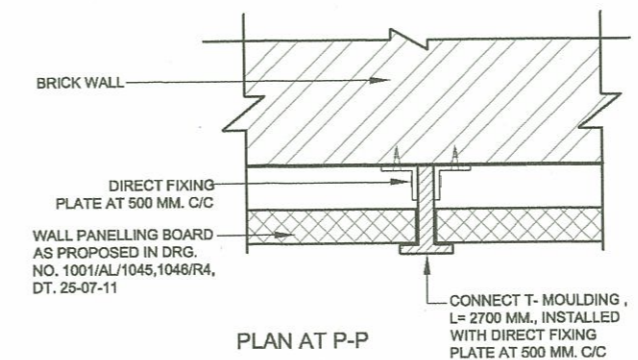
SECTION - S-S



SECTION - S2-S2



SECTION S1-S1



PLAN AT P-P

REV. NO.	DATE	REMARK
<b>PROJECT:</b>		
INDIAN INSTITUTE OF SCIENCE EDUCATION & RESEARCH AT MOHALI, PUNJAB		
<b>BUILDING :</b>		
LECTURE HALL COMPLEX		
<b>DRG. TITLE :</b>		
WALL PANELLING FIXING DETAIL		
NORTH	DATE	DRAWING NO.
	30-12-11	1001/AL/1070/R0
<b>SCALE</b>		
N.T.S.		
<b>ARCHITECT- D.S.BHUI</b>		
COSMIC DESIGNS PVT. LTD. 17-A, JOPLING ROAD, LUCKNOW PH: 0522-2207052		

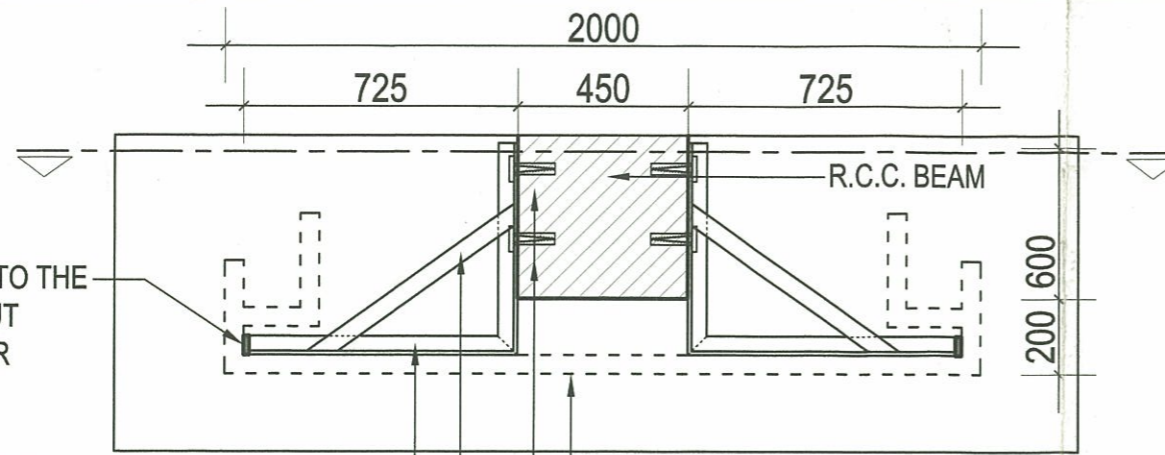
# SECTION

35 X 5 M.S. FLAT WELDED TO THE M.S. ANGLES THROUGHOUT BRACING THEM TOGETHER

35 X 35 X 5 M.S. ANGLE @ 1200MM. C/C RAWL PLUGGED INTO THE BEAM

35 X 4 M.S. FLAT WELDED TO ANGLES RAWL PLUGS FOR R.C.C.

FALSE CEILING WITH RESPECTIVE G.I. FRAMEWORK (NOT SHOWN IN THIS DRG.) AS PER SUPPLIER'S DRG. TIED TO THE PROPOSED FRAMEWORK



35 X 35 X 5 M.S. ANGLE @ 1200 MM. C/C RAWL PLUGGED INTO THE BEAM

35 X 5 M.S. FLAT WELDED TO THE M.S. ANGLES THROUGHOUT BRACING THEM

35 X 5 M.S. FLAT WELDED TO THE M.S. ANGLES

R.C.C. BEAM

725

1200

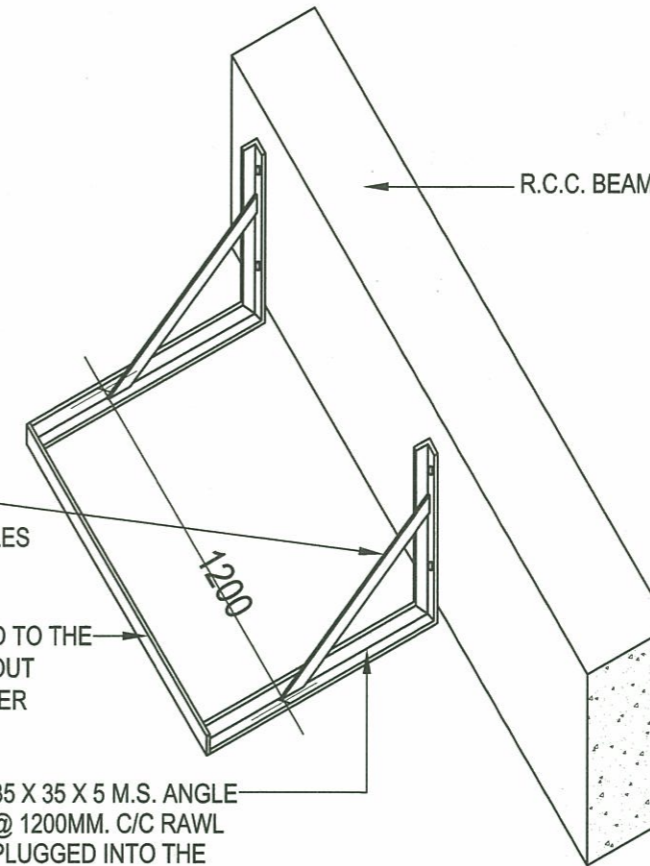
# PLAN

FALSE CEILING WITH RESPECTIVE G.I. FRAMEWORK (NOT SHOWN IN THIS DRG.) RESTING UPON THE PROPOSED FRAMEWORK

35 X 4 M.S. FLAT WELDED TO ANGLES

35 X 5 M.S. FLAT WELDED TO THE M.S. ANGLES THROUGHOUT BRACING THEM TOGETHER

35 X 35 X 5 M.S. ANGLE @ 1200MM. C/C RAWL PLUGGED INTO THE BEAM



# ISOMETRIC

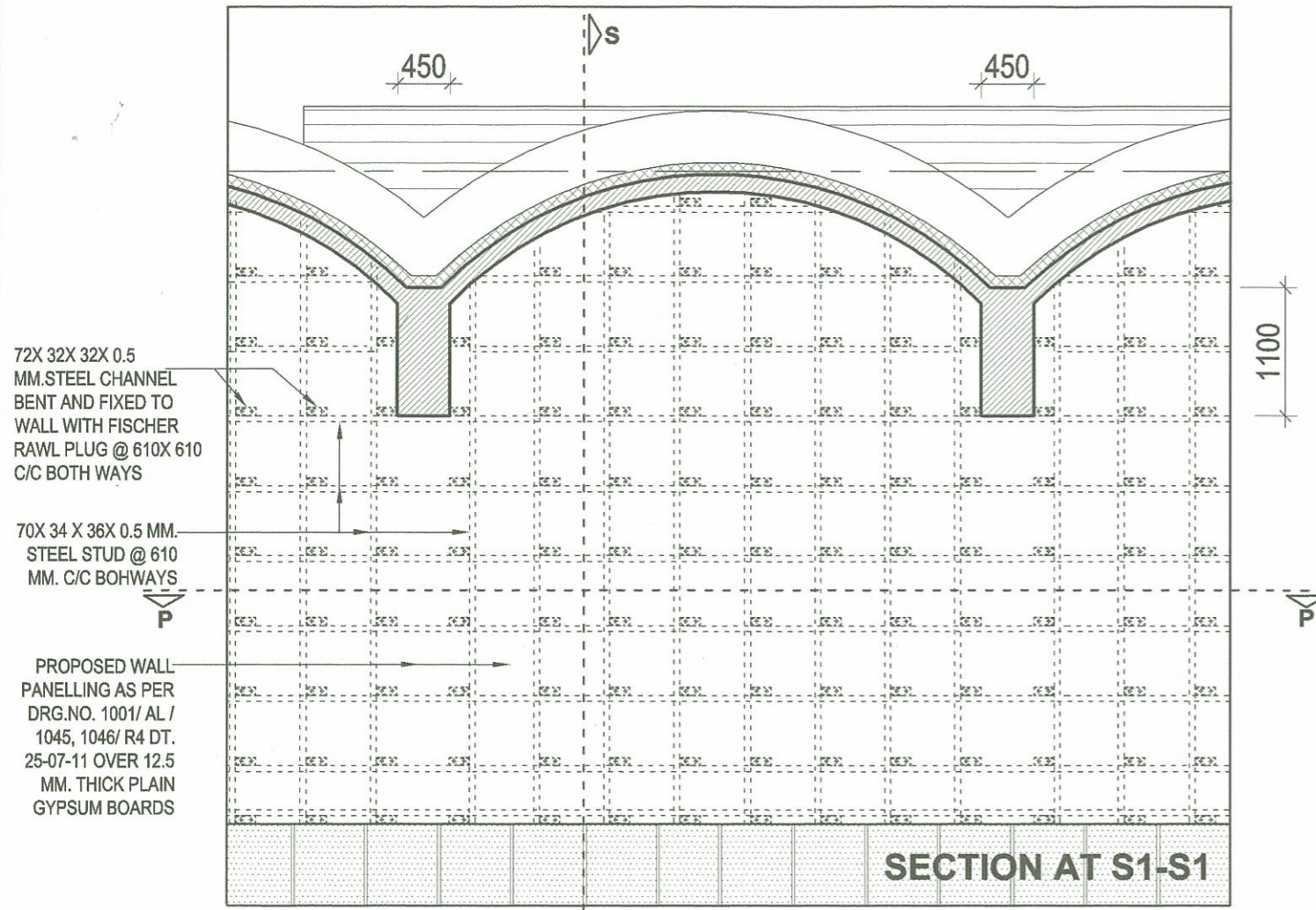
## NOTES

1. ALL DIMENSIONS ARE IN MM.
2. WRITTEN DIMENSIONS SHALL BE FOLLOWED.
3. ANY DISCREPANCY IN THIS DRAWING SHALL BE BROUGHT TO THE NOTICE OF THE ARCHITECT BEFORE EXECUTION.
4. THIS DRAWING IS THE PROPERTY OF THE ARCHITECT AND SHALL NOT BE USED OR REPRODUCED WITHOUT PERMISSION.
5. THIS DRG. SHALL BE READ IN CONJUNCTION WITH DRG. 1001/AL/1045,1046/R4, DT.25-07-11
6. ALL G.I. FRAMEWORK FOR WALL PANELLING IS NOT SHOWN IN THIS DRG. . SUPPLIER'S DRG. SHALL BE FOLLOWED FOR THE SAME.

GOOD FOR CONSTRUCTION

Asloap.  
13/12/11  
13 DEC 2011  
For ARCHITECTS  
COSMIC DESIGNS (P) LTD.  
17-A, FIRST FLOOR  
JOPLING ROAD, LUCKNOW

REV. NO.	DATE	REMARK
PROJECT:		
INDIAN INSTITUTE OF SCIENCE EDUCATION & RESEARCH AT MOHALI, PUNJAB		
BUILDING :		
LECTURE HALL COMPLEX		
DRG. TITLE :		
FALSE CEILING FIXING DETAIL		
NORTH	DATE	DRAWING NO.
	12-12-11	1408/AL/1059/R0
SCALE		
1:20		
ARCHITECT- D.S.BHUI		
COSMIC DESIGNS PVT. LTD. 17-A, JOPLING ROAD, LUCKNOW PH: 0522-2207052		

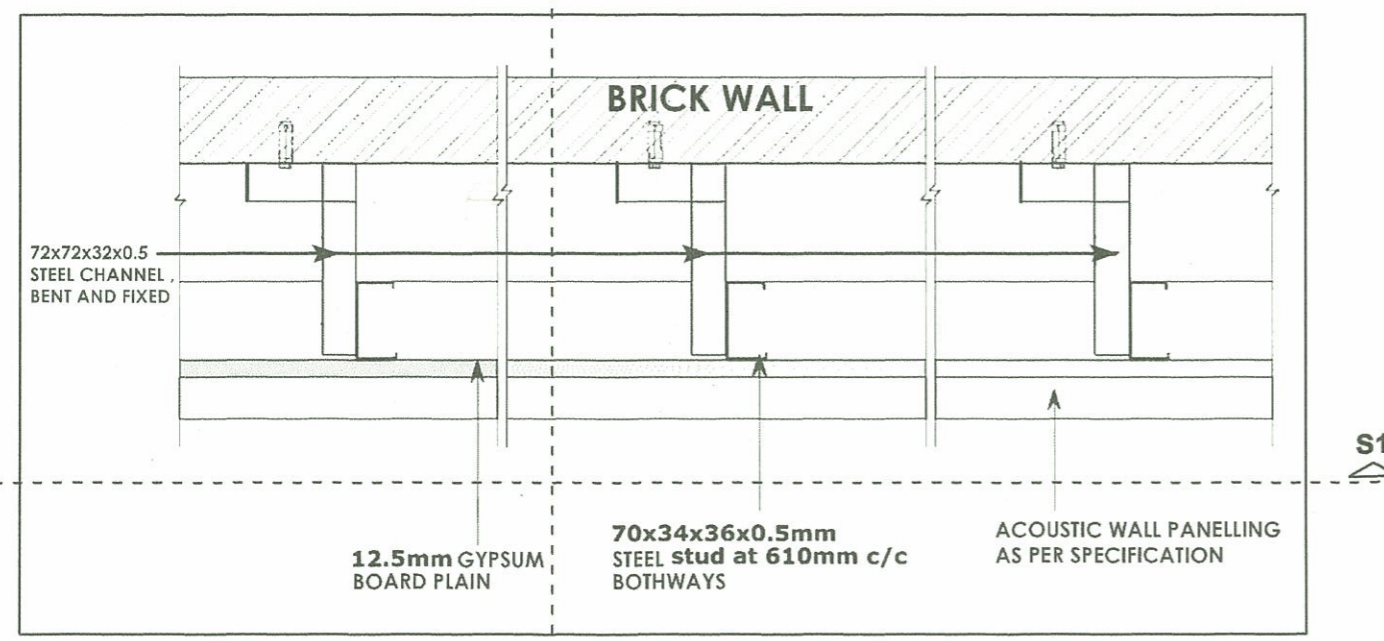


72X 32X 32X 0.5 MM. STEEL CHANNEL BENT AND FIXED TO WALL WITH FISCHER RAWL PLUG @ 610X 610 C/C BOTH WAYS

70X 34 X 36X 0.5 MM. STEEL STUD @ 610 MM. C/C BOHWAYS

PROPOSED WALL PANELLING AS PER DRG. NO. 1001/ AL / 1045, 1046/ R4 DT. 25-07-11 OVER 12.5 MM. THICK PLAIN GYPSUM BOARDS

**SECTION AT S1-S1**



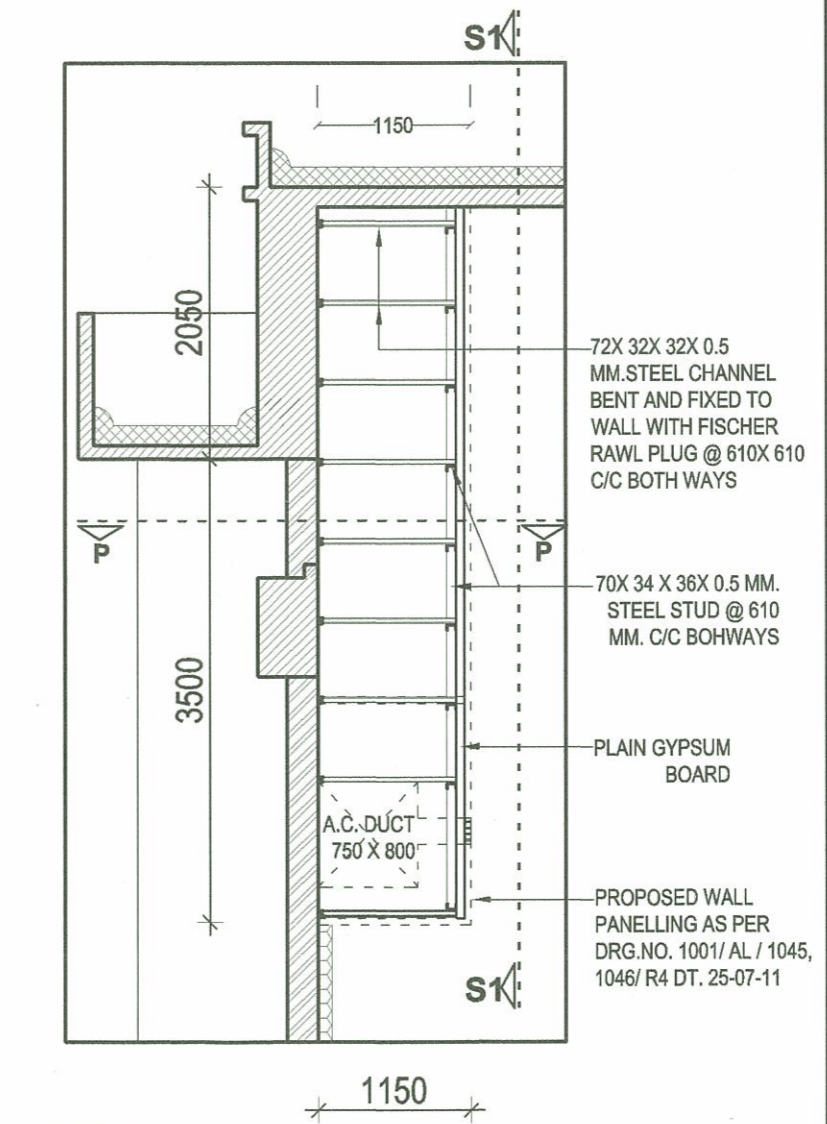
72x72x32x0.5 STEEL CHANNEL BENT AND FIXED

12.5mm GYPSUM BOARD PLAIN

70x34x36x0.5mm STEEL stud at 610mm c/c BOTHWAYS

ACOUSTIC WALL PANELLING AS PER SPECIFICATION

**PLAN AT P-P**



72X 32X 32X 0.5 MM. STEEL CHANNEL BENT AND FIXED TO WALL WITH FISCHER RAWL PLUG @ 610X 610 C/C BOTH WAYS

70X 34 X 36X 0.5 MM. STEEL STUD @ 610 MM. C/C BOHWAYS

PLAIN GYPSUM BOARD

PROPOSED WALL PANELLING AS PER DRG. NO. 1001/ AL / 1045, 1046/ R4 DT. 25-07-11

**SECTION S-S**

- NOTES**
1. ALL DIMENSIONS ARE IN MM.
  2. WRITTEN DIMENSIONS SHALL BE FOLLOWED.
  3. ANY DISCREPANCY IN THIS DRAWING SHALL BE BROUGHT TO THE NOTICE OF THE ARCHITECT BEFORE EXECUTION.
  4. THIS DRAWING IS THE PROPERTY OF THE ARCHITECT AND SHALL NOT BE USED OR REPRODUCED WITHOUT PERMISSION.
  5. THIS DRG. SHALL BE READ IN CONJUNCTION WITH DRG. 1001/AL/1045, 1046/R4, DT. 25-07-11
  6. ALL STEEL SECTIONS FIXED TO THE BEAM WALL SHALL BE THROUGH FISCHER RAWL PLUGS OR EQUIVALENT.

REV. NO.	DATE	REMARK
R1	30/12/11	AS DESIRED BY XEN, IISER, FIXING DETAIL MODIFIED FROM M.S. ANGLES TO STEEL SECTIONS

**PROJECT:**  
**INDIAN INSTITUTE OF SCIENCE EDUCATION & RESEARCH AT MOHALI, PUNJAB**

**BUILDING :**  
**LECTURE HALL COMPLEX**

**DRG. TITLE :**  
**WALL PANELLING FIXING DETAIL**

NORTH	DATE	DRAWING NO.
	12-12-11	1001/AL/1060/R1
	SCALE	
	N.T.S.	

**ARCHITECT- D.S.BHUI**  
**COSMIC DESIGNS PVT. LTD.**  
 17-A, JOPLING ROAD, LUCKNOW  
 PH: 0522-2207052