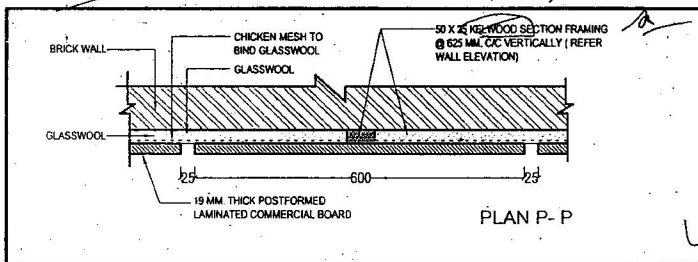
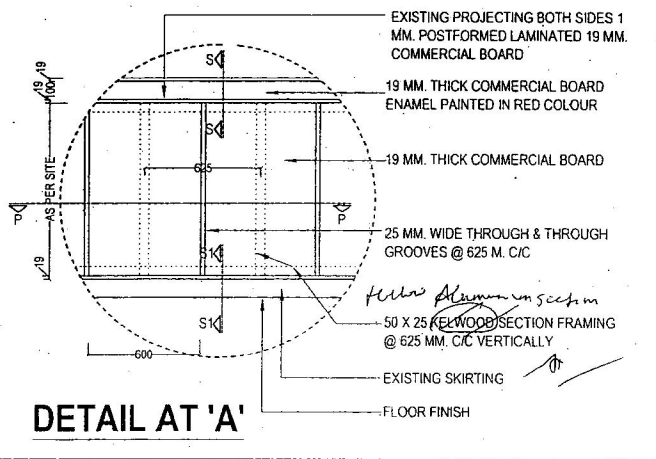


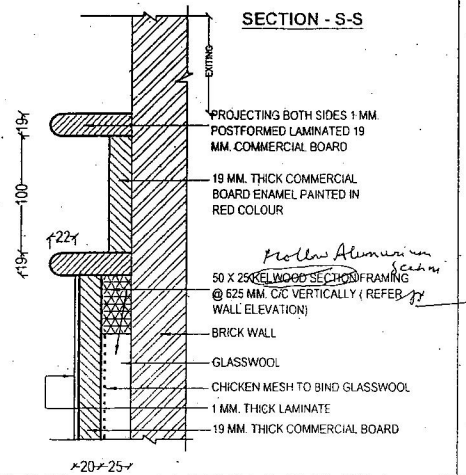
SECTION THROUGH 491 SEATED HALL



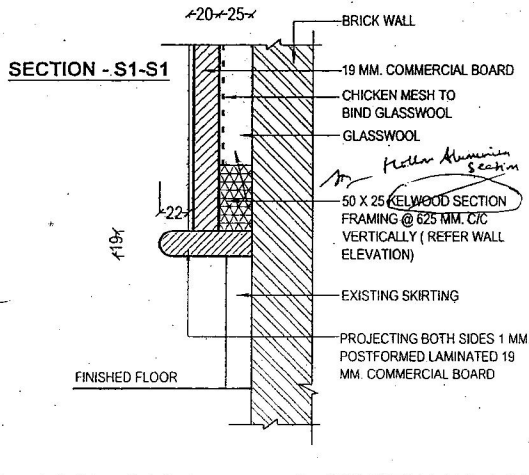
PLAN P-P



DETAIL AT 'A'

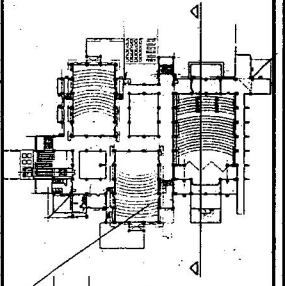


SECTION - S-S



SECTION - S1-S1

- NOTES**
- ALL DIMENSIONS ARE IN MM
 - WRITTEN DIMENSIONS SHALL BE FOLLOWED.
 - ANY DISCREPANCY IN THIS DRAWING SHALL BE BROUGHT TO THE NOTICE OF THE ARCHITECT BEFORE EXECUTION.
 - THIS DRAWING IS THE PROPERTY OF THE ARCHITECT AND SHALL NOT BE USED OR REPRODUCED WITHOUT PERMISSION.
 - ALL PAINTED SURFACE AS MARKED IN THIS DRG SHALL BE PAINTED WITH THE FOLLOWING COLOUR, UNLESS OTHERWISE SPECIFIED:
- | COLOUR ALTERNATIVES | |
|---------------------|---------------------|
| COMPANY | CATALOGUE REFERENCE |
| BERGER | 1-2405D |
| ASIAN PAINTS | VOLCANO 0578 |
| NEROLAC | PALE RUST- 2103D |
- THE FOLLOWING LAMINATE SHALL BE USED FOR ALL LAMINATED SURFACES AS MARKED IN THIS DRG., UNLESS OTHERWISE SPECIFIED:
- | | |
|----------------------|-----------------------------------|
| COMPANY : | MERINOLAM / CENTURY OR EQUIVALENT |
| CAT. NO. (MERINO) - | MAHOGANY (605) |
| CAT. NO. (CENTURY) - | MAHOGANY WALLNUT |



R1	8/9/16	SKIRTING AVERAGE 1500 MM. HEIGHT ADDED AS PER DETAILS
REV. NO.	DATE	REMARK
PROJECT:		
INDIAN INSTITUTE OF SCIENCE EDUCATION & RESEARCH AT MOHALI, PUNJAB		
BUILDING :		
LECTURE HALL COMPLEX		
DRG. TITLE :		
DETAILS - WALL PANELLING - 491 SEATED HALL		
NORTH	DATE	DRAWING NO.
	26-12-12	1001/AL/1084/R1
SCALE		
N.T.S.		
ARCHITECT - D.S.BHUI		
COSMIC DESIGNS PVT. LTD.		
17-A, JOPLING ROAD, LUCKNOW		
PH: 0522-2207052		