



# भारतीय विज्ञान शिक्षा एवं अनुसंधान संस्थान मोहाली

मानव संसाधन एवं विकास मंत्रालय, भारत सरकार द्वारा स्थापित  
सैक्टर 81, नॉलेज सिटी, प.ओ. मनोली, एस. ए. एस. नगर, मोहाली, पंजाब 140306

## INDIAN INSTITUTE OF SCIENCE EDUCATION AND RESEARCH MOHALI

(Established by Ministry of Human Resource Development, Govt. of India)  
Sector-81, Knowledge city, PO-Manauli, SAS Nagar Mohali-140306, Punjab

PAN No. - AAAAI1781K TAN No. PTLI10692D

• Phone : +91-172-2240086 & 2240121 • Fax : +91-172-2240124, 2240266 • <http://www.iisermohali.ac.in> • Email: [stores@iisermohali.ac.in](mailto:stores@iisermohali.ac.in)

E-mail/Website/CPPP

IISERM (50) 16/17 Pur./GS-FURNITURE

Date: 07.07.2016

### NOTICE INVITING QUOTATIONS

On behalf of The Director, IISER Mohali, sealed Quotations in two bid system (Technical & Financial) are invited for providing and fixing of following item(s) along with Tender Fee of Rs.500/- (non-refundable) through Demand Draft/Banker's Cheque in favour of The Registrar, IISER Mohali payable at Chandigarh/Mohali, so as to reach us latest by 28<sup>th</sup> July 2016 before 1:00 p.m. The quotations will be opened on the same day at 4:00 p.m. in the presence of tenderers, if any.

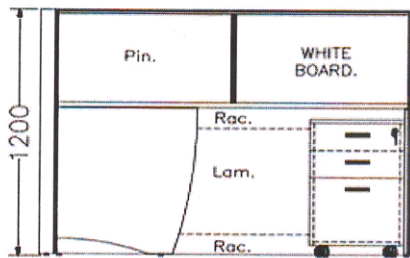
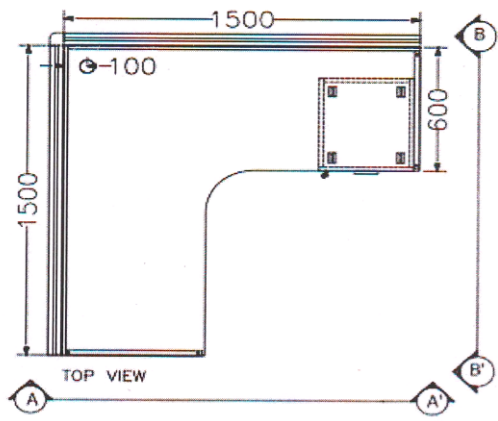
Sr.	Item	Qty.
1.	<b>Modular Table</b> Supply of table made up of 25mm thick pre-laminated board having two drawers & one shutter with single key locking system. 46 mm thick partition made up of aluminium section 1.2 mm thick panel based. Height of the table will 1200mm and length 1500mm both sides. Drawers & shutter will move on wheels. Pin board and white marker board on partition above the top level of the table of as drawing and image enclosed.	01
2.	<b>Roller Blinds</b> Fabric made up of polyester 100% fire retardant. Weight of fabric must be 260-270 gsm. Control unit consisting of clutch mechanism with clutch of wraps spring design, made of high strength reinforced plastic. Idler made of high reinforced plastic within outside sleeve and centre shaft. Head rail made up of aluminium extruded for mounting control unit and idler. Brackets for mounting control unit idler should be white powder coated. Operating chain made up of plastic beads moulded on polyester cord. Brackets for fixing blind to wall or ceiling consisting of L-bracket made up of mild steel with zinc plating with a thickness of 2mm and clamp of spring steel with zinc plated with thickness of 0.5mm. Roller tube made up of high strength alloy extruded grooved tube power coated or anodized. Load bar made up of extruded aluminium alloy with a groove for fixing the fabric using plastic with end plugged using ABS end caps.	95 Sq. Ft.

Sd/-  
(Mukesh Kumar)  
Assistant Registrar (S&P)

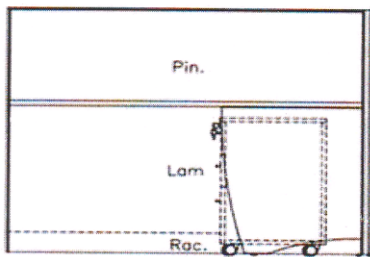
## INSTRUCTIONS

1. Inquiry will be sent by UPC/Courier/Speed Post and IISER Mohali will not be liable for any kind of postal delay.
2. The Quotation should be addressed to the Director IISER Mohali invariably giving on the envelop reference number, last date & time of receipt of tender and date & time of opening of the tender.
3. One time importers from China with custom made specifications are highly discouraged.
4. The quantity mentioned in this inquiry is and shall be deemed to be only approximate and will not in any manner be binding on the Institute.
5. Firms will quote separately for each article.
6. The rates offered should be FOR Chandigarh/Mohali, in case of firms situated outside Chandigarh/Mohali, and free delivery at the Institute premises in case of local firms. Suppliers outside India may please mention the FOB/FCA price clearly.
7. In case of Ex-godown terms the amount of packaging forwarding freight etc. should clearly be indicated by percentage or lump sum amount. Institute has policy not to make any advance payment towards any purchase, Letter of credit can be opened if required.
8. In case of foreign consignment CIF/FOB should be mentioned clearly. THE INSTITUTE IS EXEMPTED FROM EXCISE AND CUSTOM DUTY.
9. SALES TAX: - This Institute is not exempted from the payment of Sales Tax/Service Tax/VAT. The current rate (i.e. percentage of Sales Tax should be clearly indicated included or excluded) wherever chargeable. A valid PAN/TAN/VRN/TRN/LST/CST/Service Tax of the tenderer has to be provided with a copy of proof.
10. The delivery period should be strictly adhered, the firm have to execute the supply according to purchase order.
11. The firms are requested to give detailed description and specifications together with the detailed drawings, printed leaflets and literature of the Article quoted. The name of the manufactures and country of manufacture should also invariably be stated. In the absence of these particulars, the quotation is liable for rejection.
12. Validity of offer: 90 days.
13. Late or delayed quotation will not be accepted.
14. Service Facility: Please mention the nearest service center to IISER Mohali and the time required to attend the call.
15. The right to reject all or any of the quotation and to split up the requirements or relax any or all the above conditions without assigning any reason is reserved.
16. For any query, tenderers may contact via email : [stores@iisermohali.ac.in](mailto:stores@iisermohali.ac.in)

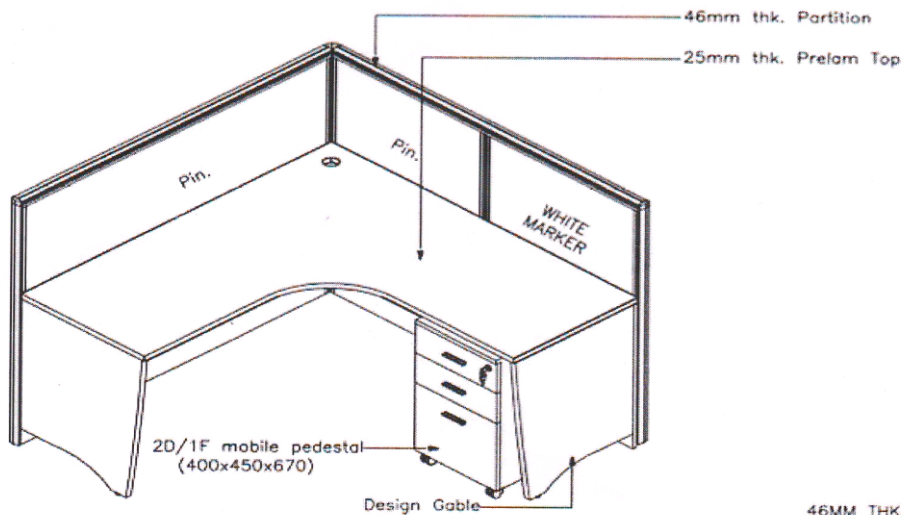
**Drawings & Image of Table:**



FRONT VIEW A A'



SIDE VIEW B B'



3D VIEW

46MM THK  
CURVILINEAR WORK STATION  
(1500x1500x600x1200)

