



**भारतीय विज्ञान शिक्षा एवं अनुसंधान संस्थान मोहाली**  
मानव संसाधन विकास मंत्रालय, भारत सरकार द्वारा स्थापित  
सैक्टर 81, नॉलेजसिटी, प॰ओ॰ मनोली, एस॰ ए॰ एस॰ नगर, मोहाली, पंजाब 140306  
**INDIAN INSTITUTE OF SCIENCE EDUCATION AND RESEARCH MOHALI**  
(Established by Ministry of Human Resource Development, Govt. of India)  
Sector-81, Knowledge city, PO-Manauli, SAS Nagar Mohali-140306, Punjab  
PAN No. - AAAAI1781K

• Phone : +91-172-2240086 & 2240121 • Fax : +91-172-2240124, 2240266 • <http://www.iisermohali.ac.in> • Email: [stores@iisermohali.ac.in](mailto:stores@iisermohali.ac.in)

*CPPP/Institute Website*

IISERM (885)17/18-Pur

Dated :21-11-2017

## **NOTICE INVITING E-TENDER**

Online tenders are invited on behalf of Director, IISER Mohali in **TWO BID SYSTEM** for **Supply and Installation of Lab furniture for Medical Physics Lab** from reputed companies/firms/ individuals/ societies etc. those are in the similar business at CPPP i.e. <https://eprocure.gov.in/eprocure/app>. Tender documents may please be downloaded from the E-procurement portal website <https://eprocure.gov.in/eprocure/app&> Institute website [www.iisermohali.ac.in](http://www.iisermohali.ac.in).

-sd-

(Mukesh Kumar)  
Assistant Registrar (S&P)



# भारतीय विज्ञान शिक्षा एवं अनुसंधान संस्थान मोहाली

मानव संसाधन विकास मंत्रालय, भारत सरकार द्वारा स्थापित  
सैक्टर 81, नॉलेजसिटी, पं०ओ० मनोली, एस० ए० एस० नगर, मोहाली, पंजाब 140306

**INDIAN INSTITUTE OF SCIENCE EDUCATION AND RESEARCH MOHALI**

(Established by Ministry of Human Resource Development, Govt. of India)  
Sector-81, Knowledge city, PO-Manauli, SAS Nagar Mohali-140306, Punjab  
PAN No. - AAAAI1781K

• Phone : +91-172-2240086 & 2240121 • Fax : +91-172-2240124, 2240266 • <http://www.iisermohali.ac.in> • Email: [stores@iisermohali.ac.in](mailto:stores@iisermohali.ac.in)

*CPPP/Institute Website*

## **E-TENDER NOTICE**

Tender Ref.- IISERM(885)17/18-Pur	Dated :- 13 <sup>th</sup> October 2017
-----------------------------------	--

### **Critical Date Sections**

Sr.	Description	Date	Time
1.	Tender Publishing Date and time	21 <sup>st</sup> Nov 2017	6:00pm
2.	Tender Document download start Date & Time	21 <sup>st</sup> Nov 2017	6:00pm
3.	Bid Submission start Date & Time	21 <sup>st</sup> Nov 2017	6:00pm
4.	Bid Submission End date and Time	11 <sup>th</sup> Dec 2017	Up to 11:00am
5.	Tender opening Date and Time	12 <sup>th</sup> Dec 2017	At 11.30 am

Online tenders are invited on behalf of the Director, IISER Mohali in **TWO BID SYSTEM** for following item(s) from the original manufacturer/supplier at CPPP i.e. <https://eprocure.gov.in/eprocure/app>. Tender documents may please be downloaded from the E-procurement portal website <https://eprocure.gov.in/eprocure/app> & Institute website [www.iisermohali.ac.in](http://www.iisermohali.ac.in). Tender fee in shape of DD/Banker Cheque of Rs 500/- (Non-refundable) and EMD of Rs.8,000/- should be submitted by DD /Banker Cheque/FDR/ Bank Guarantee in favour of the Registrar, IISER Mohali payable at Mohali. However, scanned copy of the both tender fee and EMD should be upload on website along with technical bid part. The hard copy of the same in original to be send to the address mentioned below duly superscribing the supply/work name and reference/ tender ID on the envelope and same must reach before opening the bid and if not received within due date the bid will be rejected summarily.

### **The Original EMD and tender fee should be sent to:**

Assistant Registrar (S&P)  
Indian Institute of Science Education and Research,  
Mohali Sector 81, SAS Nagar, Mohali, Punjab,  
India, Pin: 140306

**Non-receipt of original EMD and tender fee will lead to rejection of tender.**

**Item Details:**

Sr. No.	Details of Specifications of the Stores	Qty.
<b>Supply and Installation of Lab Furniture</b>		
1.	Material: SS/MS-PC material Size: 75*105*60cm. Thickness of SS/MS-PC: More than >1.0mm Each shelve height 13.1 cm, total number of shelves 8, contact us for more details- <b><u>As per figure no. 1</u></b>	01 No.
2.	Material: SS material or MS with Powder (TiO <sub>2</sub> ) coating (PC) Thickness of SS: More than 1.0mm, high quality powder coating Size: ~180x120*32cm ( <b>2 units</b> ) (HxLxW)  Size: ~180x120*46cm ( <b>3 units</b> ) (HxLxW)  Each shelve height/gap 36 cm, total number of shelves 5, Steel frame inside outside should be coated with high quality powder coating. <b>The surface is acid-resistant, alkali-resistant, scratch-resistant, extreme resistance to scratch &amp; wear, radiant heat, high temperature, and impact, easy to clean-</b> <b><u>As per figure no. 2</u></b>	05 Nos.
3.	Granite stone top table as per Fig. 3: SS/MS-PC legs, frame, granite stone top thickness is 20/25mm :	--
	(i) <b>Table 1:-</b> size: L=400cm, W=50cm, leg height including table top roof=90cm; under storage cabinet 3 nos, 3 shelves (35,30,20cm) in each cabinet, storage locations	01 no
	(ii) <b>Table 2:-</b> size: L=225cm, W=50cm, leg height including table top roof=90cm; under storage cabinets 2 nos, 3 shelves (35,30,20cm) in each cabinet, storage locations *	01 no
	(iii) <b>Table 3:-</b> size: L=210cm, W=50cm, leg height including table top roof=90cm; ( one 83 cm height) under storage cabinets 1x4 nos, 3 shelves (35,30,20cm) in each cabinet, storage locations ***	04 nos
	(iv) <b>Table 4:-</b> size: L=300cm, W=50cm, leg height including table top roof=90cm; under storage cabinet 2 nos, 3 shelves (35,30,20cm) in it, storage locations ***	02 nos.
	(v) <b>Table 5:-</b> size: L=260cm, W=50cm, leg height including table top roof=83cm; under storage cabinet 3 no, 3 shelves (30,30,20cm) in it,	01 no.
	(vi) <b>Table 6:-</b> size: L=435cm, W=50cm, leg height including table top roof=83cm; under storage cabinet 4 nos, 3 shelves (30,30,20cm)	01 no

	<p><b>NOTE:</b></p> <p>(i) One <b>water sink</b> at the corner of <b>table no. 5: granite sink wash basin with double tank + net- As per figure no. 3 A</b></p> <p>(ii) under storage cabinet 4 no., 3 shelves (35,30,20cm) in it, storage locations</p> <p>(iii) under storage cabinet size <b>~(85/80x50x45) cm</b> with single/double shutter</p> <p>(iv) Table 1 and 3 are in L -shape form, Table 3 and 4 are in L-shape form. Above information should be taken care for placing cabinets, table top surface and legs. Dimensions should be verified by vendor before starting manufacturing.</p> <p>(v) Table top is Granite stone, black colour; MS frame, MS cabinets with high quality powder (TiO2) coating</p> <p>(vi) <b>Table top :The surface is acid-resistant, alkali-resistant, scratch-resistant, extreme resistance to scratch &amp; wear, radiant heat, high temperature, and impact, and easy to clean</b></p>	----
4.	Green Plywood shelves as per design+ figure fig 4: Green ply wood >19mm thickness, dark brown/chocolate color finishing touch. Supplier should understand the design, requirements for all items 1-6 before delivering the items, color sample has to be taken: <b>As per figure fig 4:</b>	---
	(i) size (outer side) 13x2.2x1 ft (LxHxW)	01 no.
	(ii) Size 10x2.2x1 ft (LxHxW)	02 no.
	(iii) size 8.5x2.2x1 ft (LxHxW)	01 no.
	(iv) size 7.5x2.2x1 ft (LxHxW)	01 no.
	(v) size 7x2.2x1 ft (LxHxW)	04 nos
5.	shelves 8mm T Glass slide door, 10mm T Glass shelves, WP greenply wood 19mm outer frame, 8mm back support with green ply WP, dark chocolate/brown wood finishing, Size, L=12 feet, H=3.5 feet, W= 7.5inch: H1=12 inch, H2=10 inch, H3=10 inch, H4 =10 inch- <b>As per Fig. 5.</b>	
	<p><b>NOTE:</b></p> <p>1. <b>**All measurements (item 1 to 5) and dimensions need to be verified before manufacturing and supply.</b></p> <p>2. <b>All the Furniture should be quoted with 5 years manufacturing, fitting and colour warranty</b></p>	--

### **SUBMISSION OF TENDER**

- I. All bid/ tender documents are to be uploaded online at Central Public Procurement portal i.e. <https://eprocure.gov.in/eprocure/app> only and in the designated cover/ part on the website against tender ID. Tenders/ bids shall be accepted only through online mode and no manual submission of the same shall be entertained except tender fee and EMD. Late tenders will not be accepted.
- II. The online bids shall be opened at the office of the Assistant Registrar (P&S), IISER Mohali, on above given date and time. If the tender opening date happens to be on a holiday or non-working day due to any other valid reason, the tender opening process will be attended on the next working day at same time and place. IISER Mohali will not be responsible for any error like missing of schedule data while downloading by the Bidder.

- III. The bidder shall upload the tender documents duly filled in and stamped by the authorized signatory on each and every page. Tender not submitted/uploaded in the prescribed form and as per the tender terms and conditions shall be liable for rejection.
- IV. The bidder shall upload scanned copy of the PAN Card, GST number VAT return, Service tax registration number duly signed and stamped.
- V. E-procurement system ensures locking on the scheduled date and time. The system will not accept any bid after the scheduled date and time of submission of bid.
- VI. All the queries related to technical specification should be sent to the email ID [stores@iisermohali.ac.in](mailto:stores@iisermohali.ac.in) on or before 07-12-2017. After the given date, no queries will be entertained.

### **INSTRUCTIONS**

1. The Online bids should be submitted directly by the original manufacturer/supplier, If quotation is submitted/filled by any representative/agent/dealer then they must upload a authority certificate from the principal company for quoting the price otherwise such quotation will be rejected.
2. The quantity mentioned in this inquiry is and shall be deemed to be only approximate and will not in any manner be binding on the Institute. Before the deadline for submission of the online bid, IISER Mohali reserves the right to modify the tender document terms and conditions. Such amendment/modification will be notified on website against said tender ID.
3. The rates offered should be FOR Chandigarh/Mohali in case of firms situated outside Chandigarh/Mohali, and free delivery at the Institute premises in case of local firms. Supplier from outside India should mention the Ex-works/FOB/FCA/CIF/CIP price clearly. Conditional tenders will be summarily rejected.
4. In case of Ex-godown terms the amount of packaging forwarding freight etc. should clearly be indicated by percentage or lump sum amount. Institute has policy not to make any advance payments towards any purchase, Letter of credit can be opened if required.
5. THE INSTITUTE IS EXEMPTED FROM EXCISE AND CUSTOM DUTY under notification no- 51/96 –CUSTOM DATED 23/7/1996 AND DSIR REGISTRATION NO TU/V/RG/-CDE(1062)/2011 DT. 02/09/2011 / EXCISE NOTIFICATION NO. 10/97-CENTRAL EXCISE DT. 01.03.1997.
6. Tax: This Institute is not exempted from the payment of GST. The current rate (i.e. percentage of GST should be clearly indicated included or excluded) wherever chargeable. Please also provide/upload the copy of PAN card, GST number duly self-attested.
7. Bidder/s quoting in currency other than **Indian Rupee (INR)** should explicitly mention the currency in which tender quoted wherever applicable in Technical Bid along the tender documents.
8. The delivery period should be specifically stated. Earlier delivery will be preferred.

9. The firms are requested to provide/upload detailed description and specifications together with the detailed drawings, printed leaflets and literature of the article quoted. The name of the manufactures and country of manufacture should also invariably be stated. In the absence of these particulars, the quotation is liable for rejection.
10. Validity of offer: 90 days. The warranty period after satisfactory installation should be mentioned and firm should replace all manufacturing defect parts/ whole item under warranty without any extra cost including clearance, freight, taxes. Security deposit/ Bank Performance Guarantee @ 10 % of the value of supply order as per norms may be sought from the firms.
11. The right to reject all or any of the quotation and to split up the requirements or relax any or all the above conditions without assigning any reason is reserved by the IISER Mohali. For any corrigendum and addendum please be checked the website <https://eprocure.gov.in/eprocure/app> and <http://www.iisermohali.ac.in>
12. Disputes, if any, shall be subject to jurisdiction in the court of Mohali only.

-sd/-  
(Mukesh Kumar)  
Assistant Registrar (S&P)

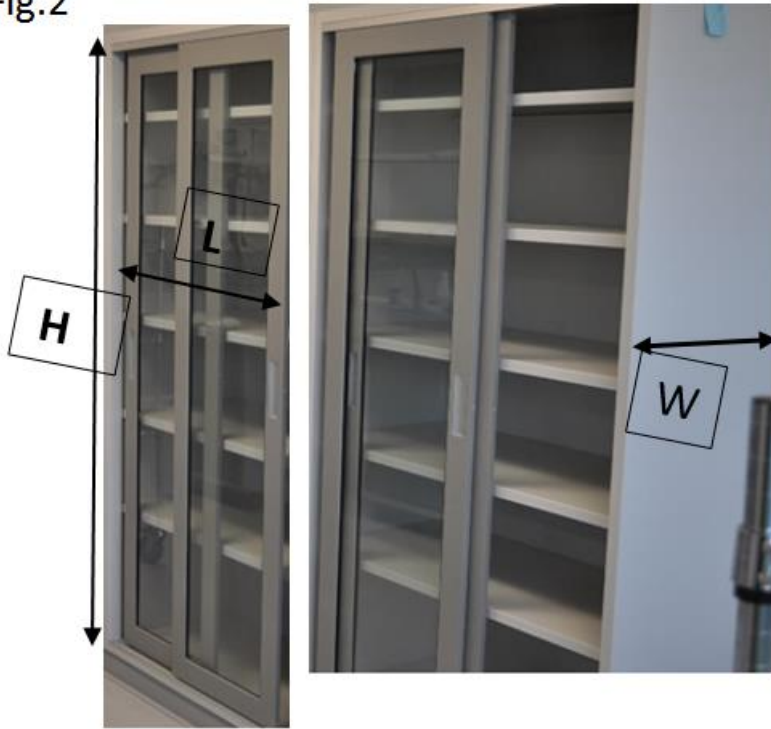


Fig 1

Fig.1: size LxHxW approxi: 75x105x60cm



Fig.2



Size: ~180x120\*32cm (**2 units**) (HxLxW)

Size: ~180x120\*46cm (**3 units**) (HxLxW)

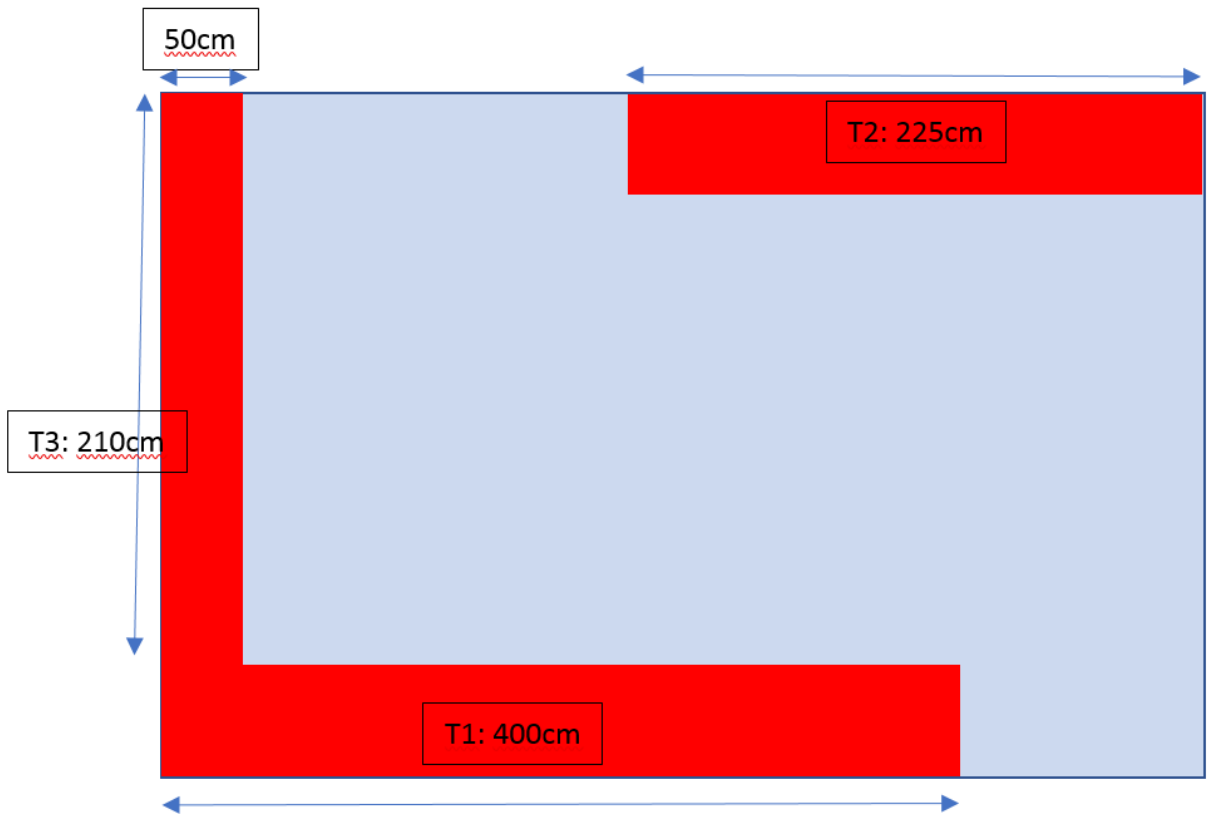


Fig. 3A



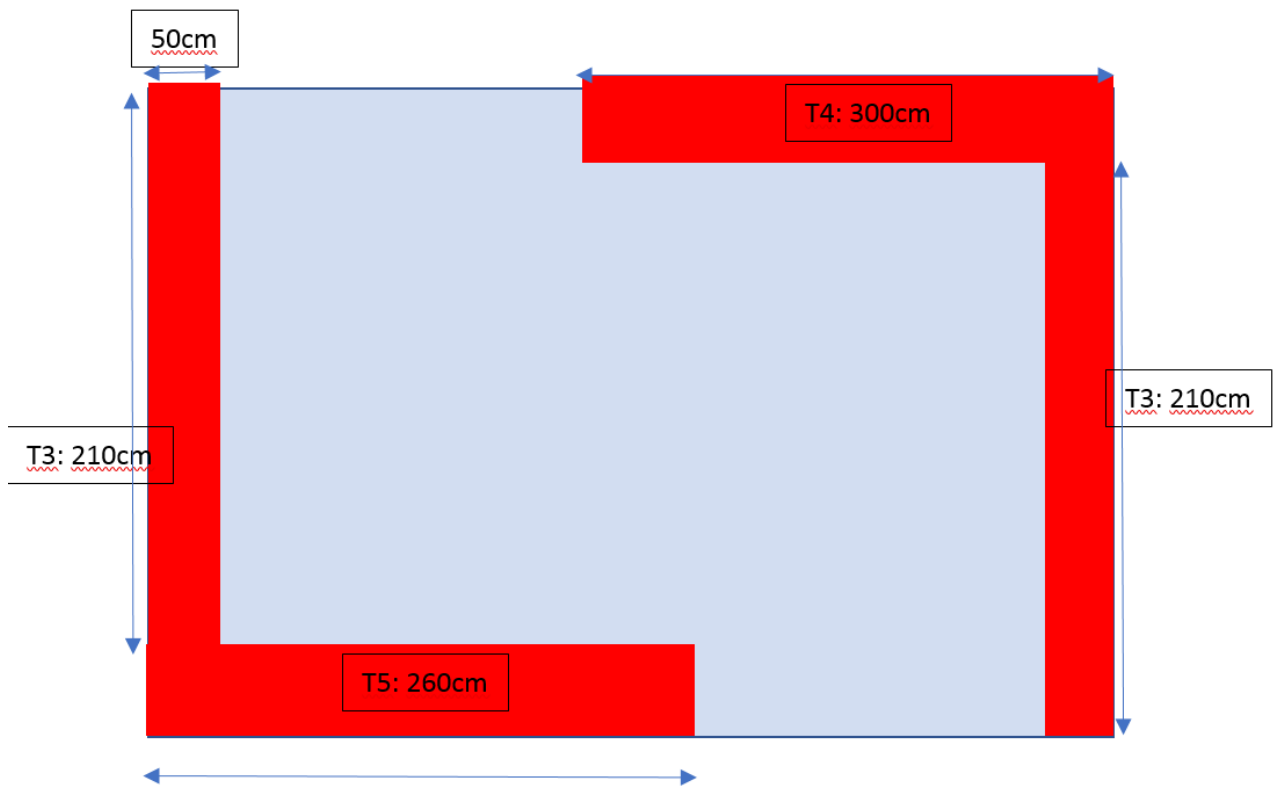


Fig. 3B

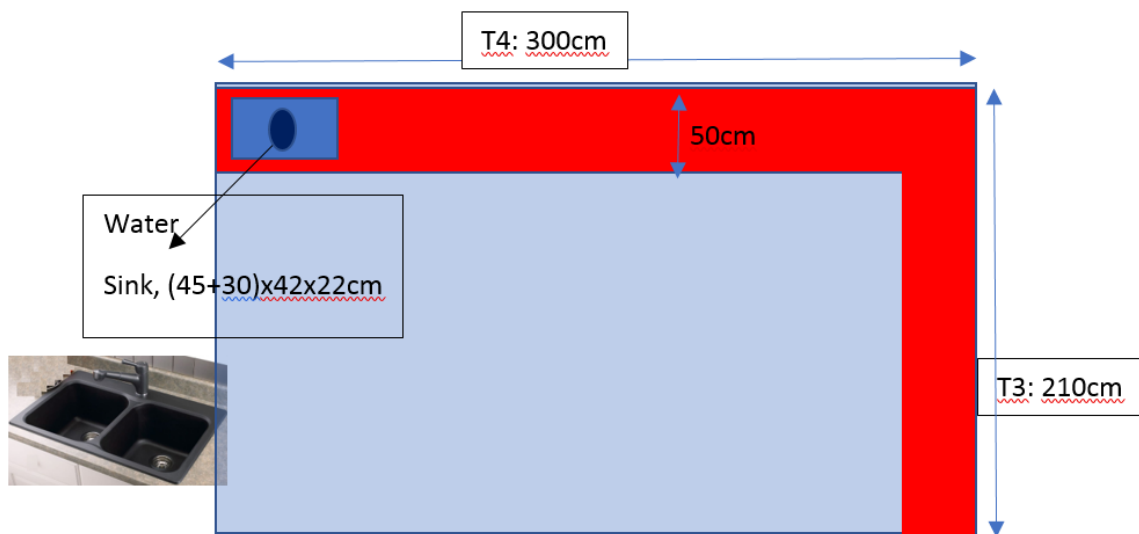


Fig. 3C

Fig 3C: Granite stone black sink wash basin with double tank+net, standard size compatible with stone table: need WP installation : 5 yrs manufacturing, fitting, colour warranty. Size of basin (45+30)x42x22 cm

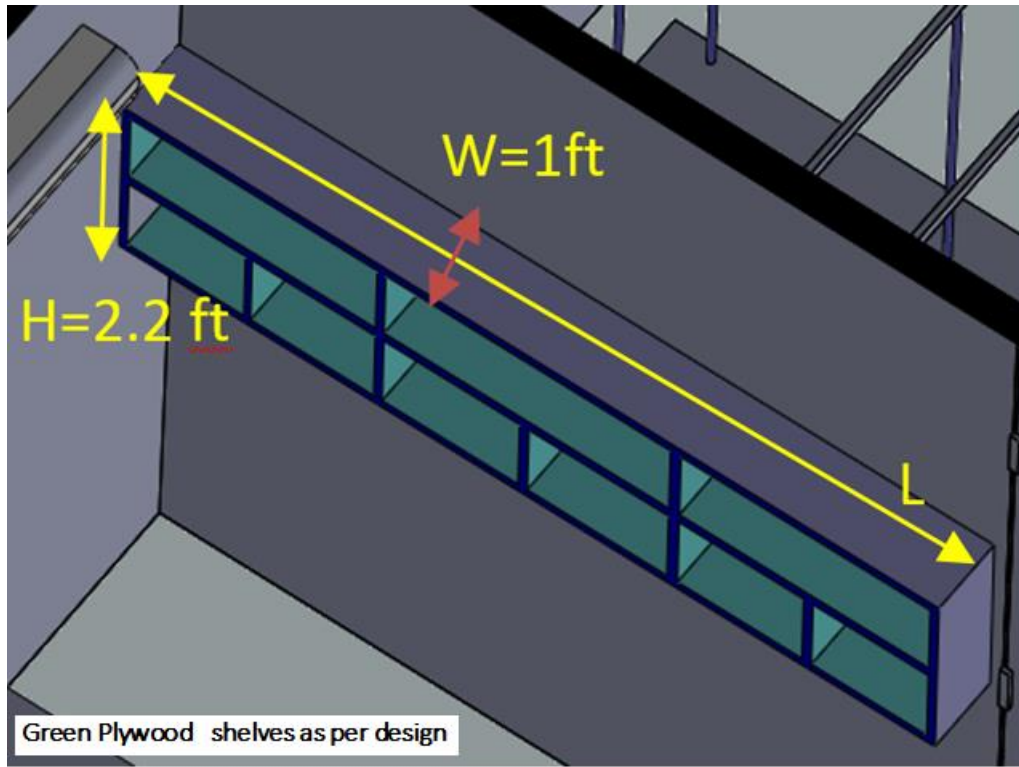


Fig. 4

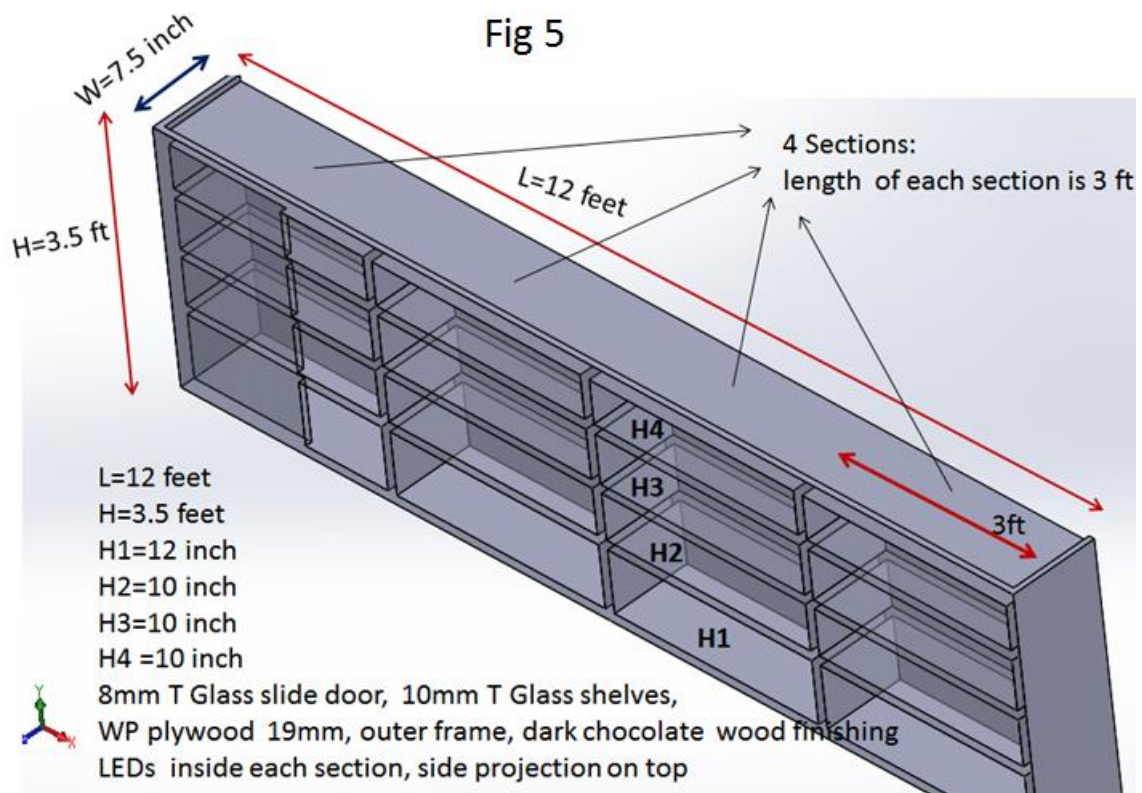


Fig 5