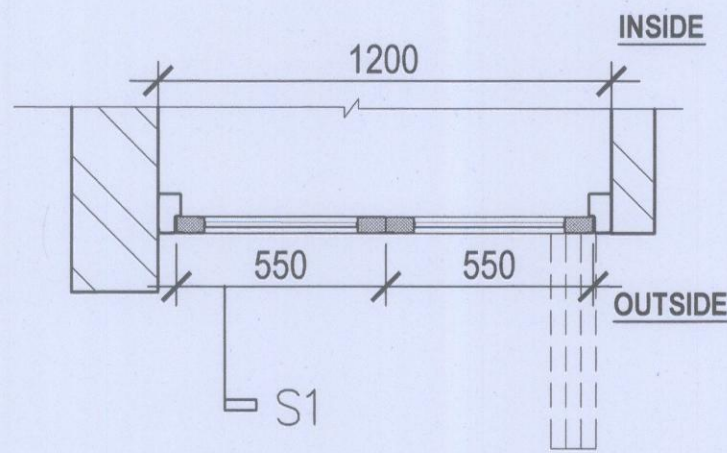
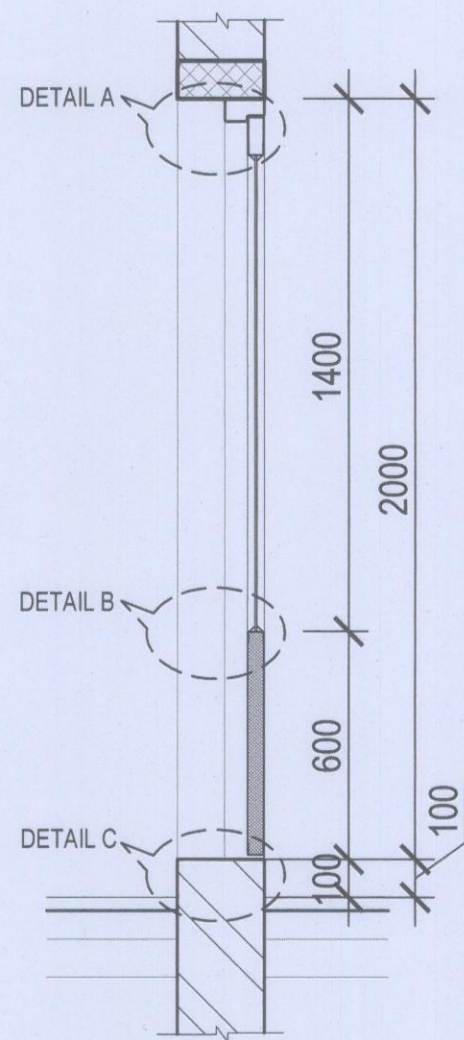


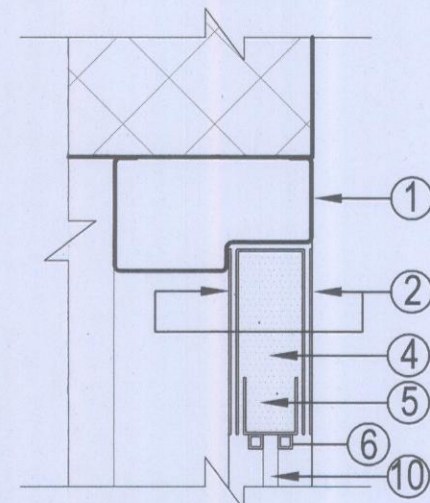
**FD3 [1230 X 2000]
(FOLDABLE DOOR WITH GLASS PANEL)**



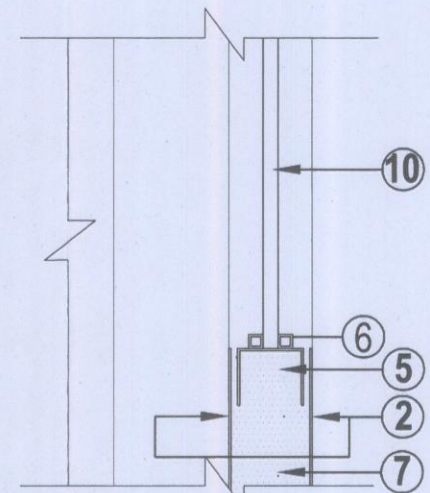
PLAN AT P1



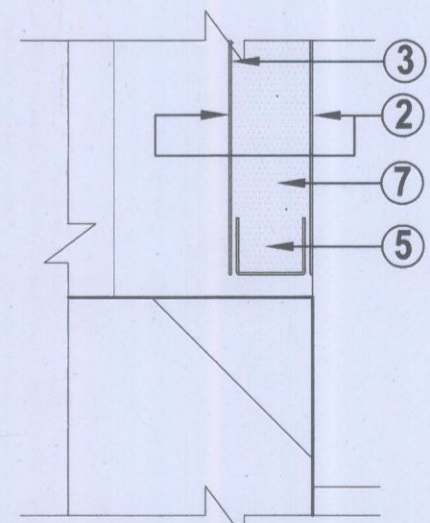
SECTION S1-S1



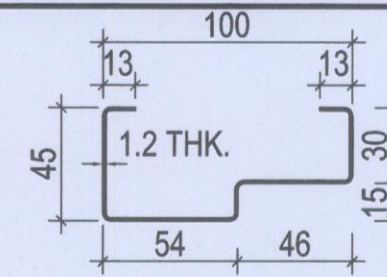
**DETAIL A
SCALE 1:5**



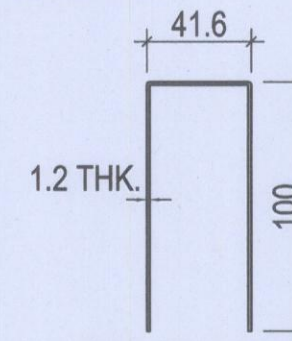
**DETAIL B
SCALE 1:5**



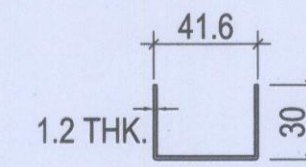
**DETAIL C
SCALE 1:5**



**GPSP FRAME
SCALE N.T.S.**



**TOP CHANNEL
SCALE N.T.S.**



**BOTTOM & SIDE CHANNEL
SCALE N.T.S.**

LEGEND

- ① GPSP FRAME TO SIZE
- ② OUT OF 1.2 THK G.I. SHEET (FRONT SKIN)
- ③ OUT OF 1.2 THK G.I. SHEET (BACK SKIN)
- ④ 41.6X100X1.2 TOP CHANNEL
- ⑤ 30X41.6X1.2 BOTTOM & SIDE CHANNEL
- ⑥ PERFORATED G.I. SHEET
- ⑦ PAPERCORE HONEYCOMB
- ⑧ SS BALL BEARING HINGES
- ⑨ MORTISE LOCK

GPSP DOOR

- LEAF THICKNESS = 44 MM
- SKIN = 18 GAUGE GALVANIZED IRON POLYCOAT SINGLE SKIN PASSED (GPSP) SHEET POWDER COATED FINISH IN OFF WHITE COLOR
- INFILL = PAPERCORE HONYCOMB
- REINFORCEMENT = AT HINGES AND LOCK CASE FITMENTS
- IRONMONGERY = SS BALL BEARING HINGES

- NOTES**
1. ALL DIMENSIONS ARE IN MM.
 2. WRITTEN DIMENSIONS SHALL BE FOLLOWED.
 3. ANY DISCREPANCY IN THIS DRAWING SHALL BE BROUGHT TO THE NOTICE OF THE ARCHITECT BEFORE EXECUTION.
 4. THIS DRAWING IS THE PROPERTY OF THE ARCHITECT AND SHALL NOT BE USED OR REPRODUCED WITHOUT PERMISSION.
 5. THE SCHEDULE OF FINISHES SHALL BE STRICTLY FOLLOWED.

TENDER COMPONENT

For ARCHITECTS **28 JUN 2011**
COSMIC DESIGNS (P) LTD.
17-A, FIRST FLOOR
JOPLING ROAD, LUCKNOW

REV. NO.	DATE	REMARK
PROJECT:		
INDIAN INSTITUTE OF SCIENCE EDUCATION & RESEARCH AT MOHALI, PUNJAB		
BUILDING :		
HEALTH CENTER		
DRG. TITLE :		
(FD3) FOLDABLE DOOR DETAIL		
NORTH	DATE	DRAWING NO.
	27/06/11	1404/AL/1016/R0
SCALE		
1:20		
ARCHITECT- D.S.BHUI		
COSMIC DESIGNS PVT. LTD. 17-A, JOPLING ROAD, LUCKNOW PH: 0522-2207052		