



भारतीय विज्ञान शिक्षा एवं अनुसंधान संस्थान मोहाली  
मानव संसाधन विकास मंत्रालय, भारत सरकार द्वारा स्थापित  
सैक्टर 81, नॉलेज सिटी, प° ओ° मनोली, एस° ए° एस° नगर, मोहाली, पंजाब 140306  
**INDIAN INSTITUTE OF SCIENCE EDUCATION AND RESEARCH MOHALI**

(Established by Ministry of Human Resource Development, Govt. of India)  
Sector-81, Knowledge city, PO-Manauli, SAS Nagar Mohali-140306, Punjab  
PAN No. - AAAAI1781K GST No. 03AAAAI1781K1ZT

• Phone : +91-172-2240086 & 2240121 • Fax : +91-172-2240124, 2240266 • <http://www.iisermohali.ac.in> • Email: [stores@iisermohali.ac.in](mailto:stores@iisermohali.ac.in)

IISERM (812)17/18Pur.

02<sup>th</sup> September 2017

## Corrigendum-I

Refer IISER Mohali E-tender Ref. no. IISERM (812)17/18 Pur for **Supply and installation of Lab Furniture's for lab setting up of laboratory** at IISER Mohali, Sector-81, Knowledge City, PO-Manauli, SAS Nagar Mohali, Punjab. Due date for the online submission is further extended as per below schedule.

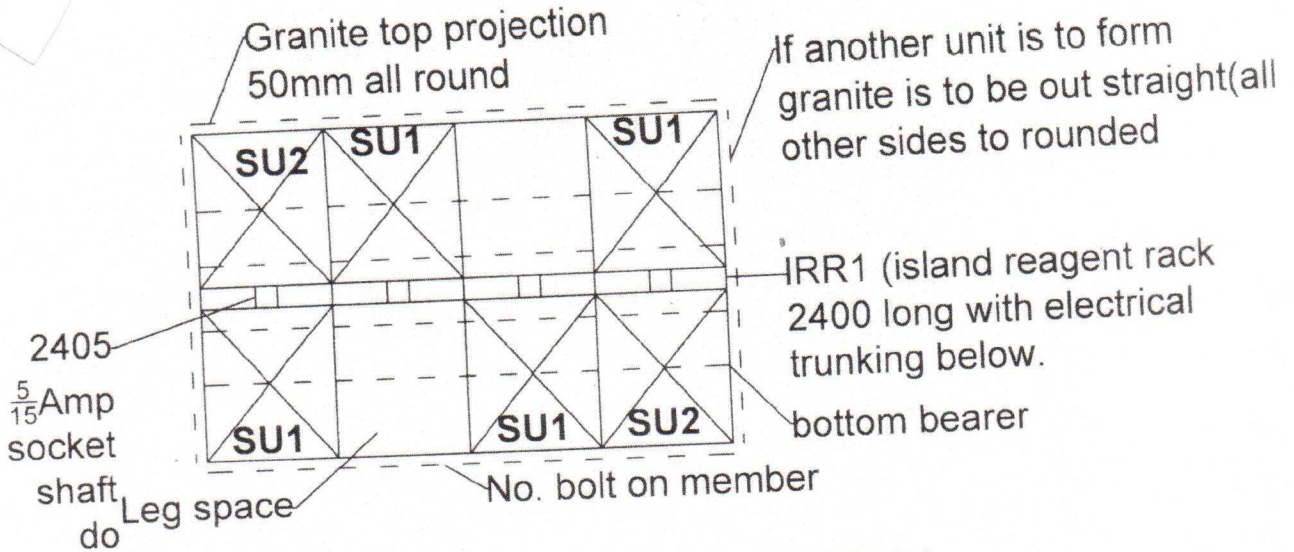
### Revised Date and Time

Sr.no.	Description	Extended Due date/Time
01	Closing Date & Time (Online)	14/09/2017 up to 11:00 AM
02	Opening Date & Time of Technical Bid	15/09/2017 at 11:30 AM

All the other terms & conditions will remain same as contained in the NIT. All the required Drawings for the furniture may kindly find below.

For any information, other modifications and/or corrigendum may kindly visit IISER Mohali websites <http://www.iisermohali.ac.in> & <https://eprocure.gov.in/eprocure/app>

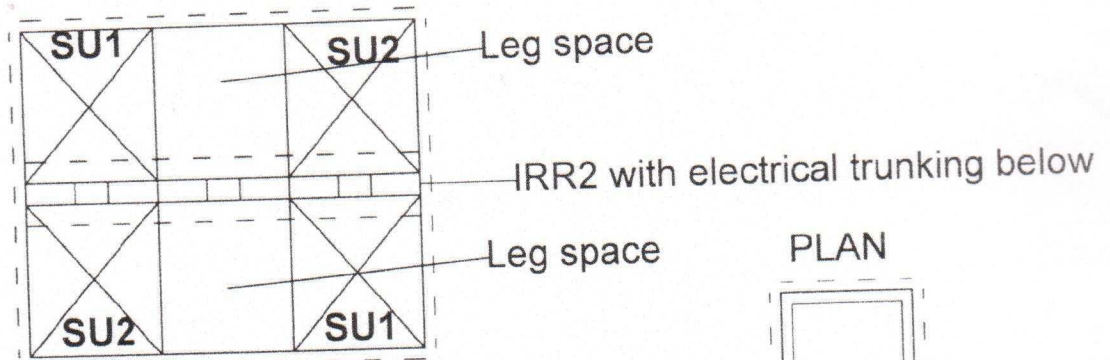
Sd/-  
Mukesh Kumar  
Assistant Registrar (S&P)



facing both sides (16 sockets)

**lwb1**; island work bench. 2440\*1500\*900high

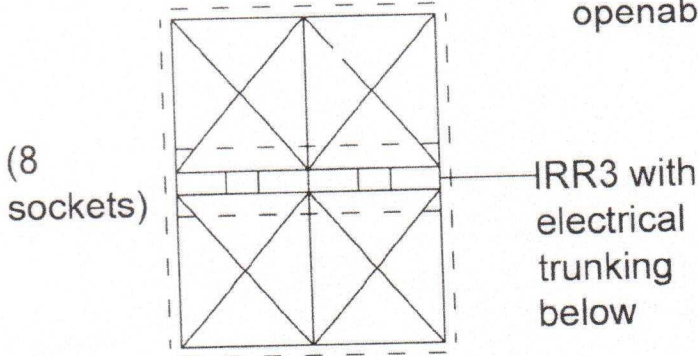
(12 sockets)



DW-4

**lwb2**; island work bench. 1800\*1500\*900high

PLAN



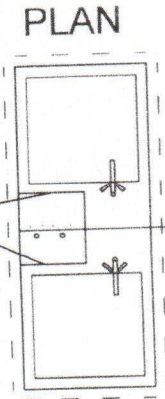
(8 sockets)

**lwb3**; island work bench. 1220\*1500\*900high

PLAN

**lwb4**; island work bench. 915\*1500\*900high

These 2 sides with modular openable panels



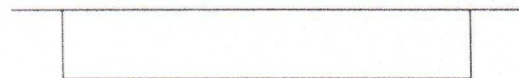
CRC 300\*300 divided shaft for proposed elec. conducts

ISU (stainlessSteel)  
ISU (ceramic)  
ISU island single unit  
610\*1500\*900high

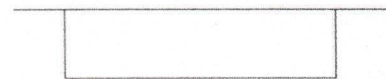
All PLANS



**WRR1** wall reagent rack 8'1'2'3" high

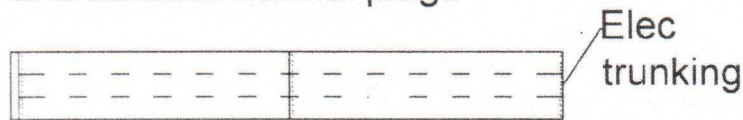


**WRR2** wall reagent rack 6'1'2'3" high



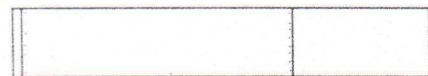
**WRR3** wall reagent rack 4'1'2'3" high

Note; All racks firmly fixed to wall by chemical resistant (85) screw and suitable normal plugs

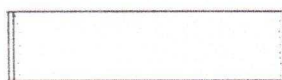


✓ **IRR1** Island reagent rack 8'1'2'3" high

Note; All reagent racks to be attached to bench tops without toppling possibility



**IRR2** Island reagent rack 6'1'2'3" high



**IRR3** Island reagent rack 4'1'2'3" high

**IRR4**

Note; All reagent racks are to be of crc sheets of adequate strength

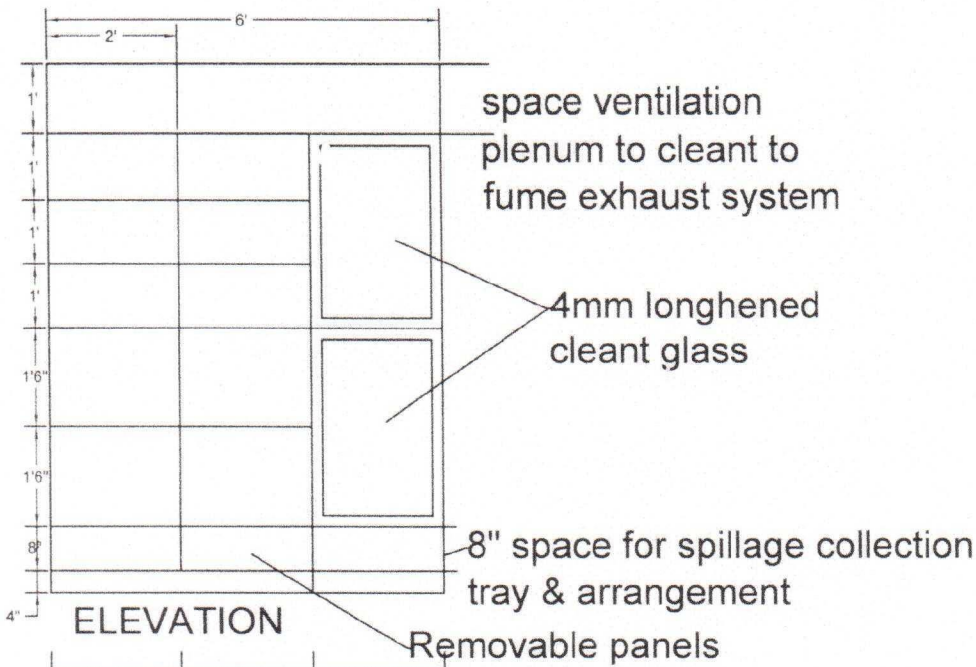
- For all these built on shaft at 4'9" height with electrical trunking below.
- Every 2' space 2ms  $\frac{5}{15}$  Amp sockets.
- Top of rack at 7' wt and intermidate shaft at 1'6" ht.

**ELECTRICAL**

- For all these bolt on shaft at 1'6" above waste top with electrical end trunking below.
- Every 2' space 2ms  $\frac{5}{15}$  Amp sockets, facing both sides.

Top of rack at 5'6" height & intermediate shaft at 4'6" ht

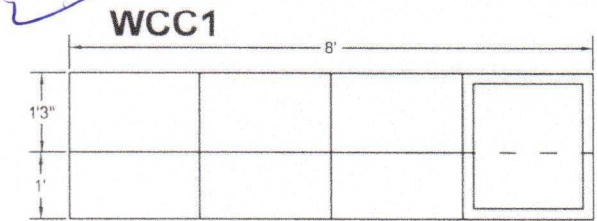




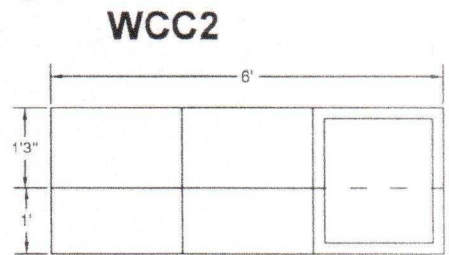
shelves shown without shutter  
 shutter for clarity shown without shelves

- All the 3 shutter and 3 bottom shutter shaft the individually lockable brushed stainless pull handles to be provided
- leveling bolts/brushes to provided at the bottom

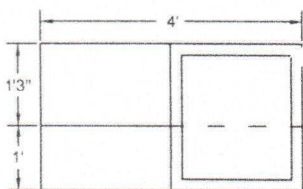
✓ **VCC:** Ventilation chemical copboard (vcc) 2'6" deep  
 (To be constructed out of crc sheets with each shelf beaing with adequate stiffenets to take the loading (1 shelves 10 kgs; 1'6"shelves; 20kgs each)



4'9" from shown  
 WCC1 (wall wall chemical cabinet 8' long)



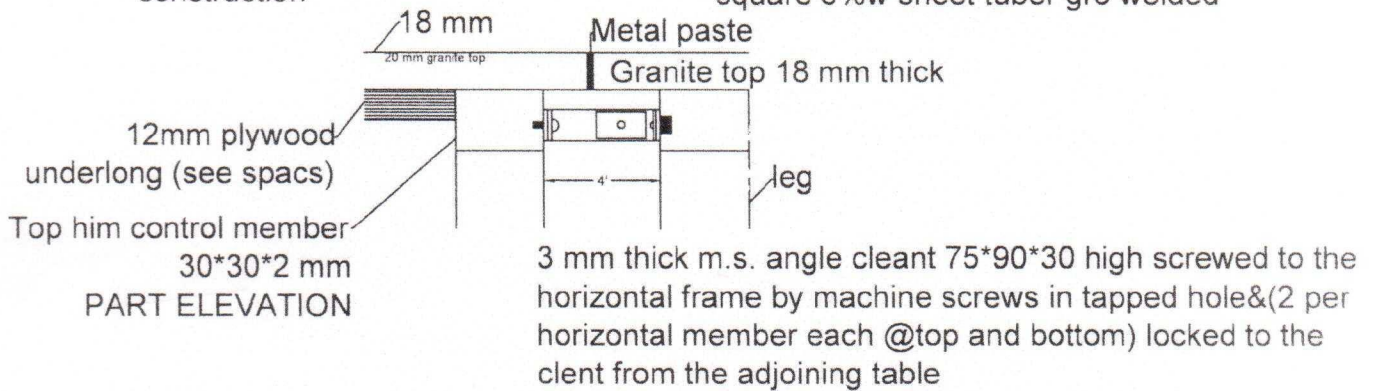
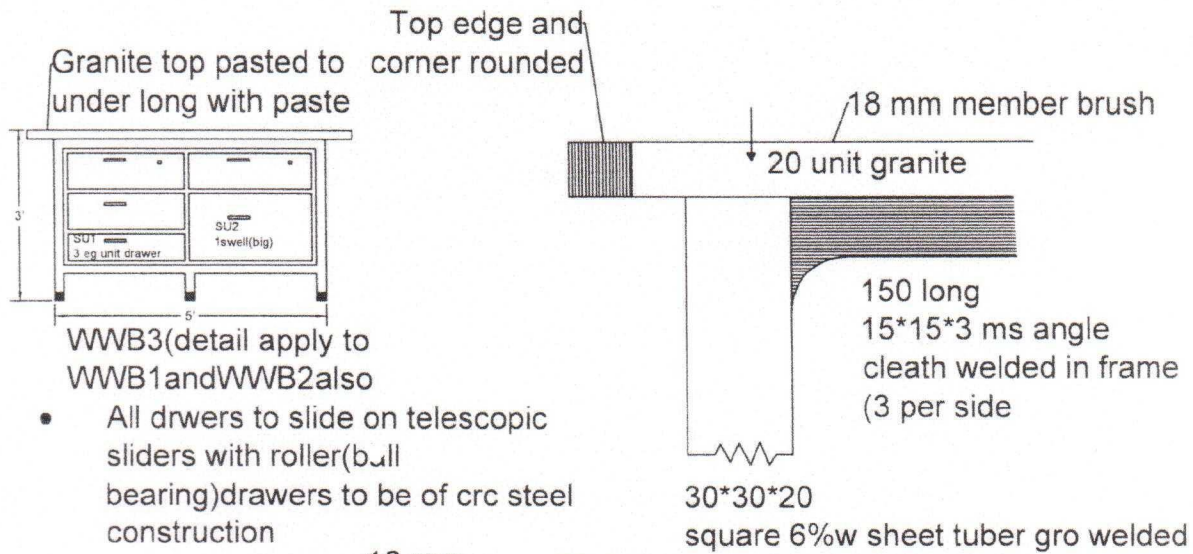
WCC2; 6' long



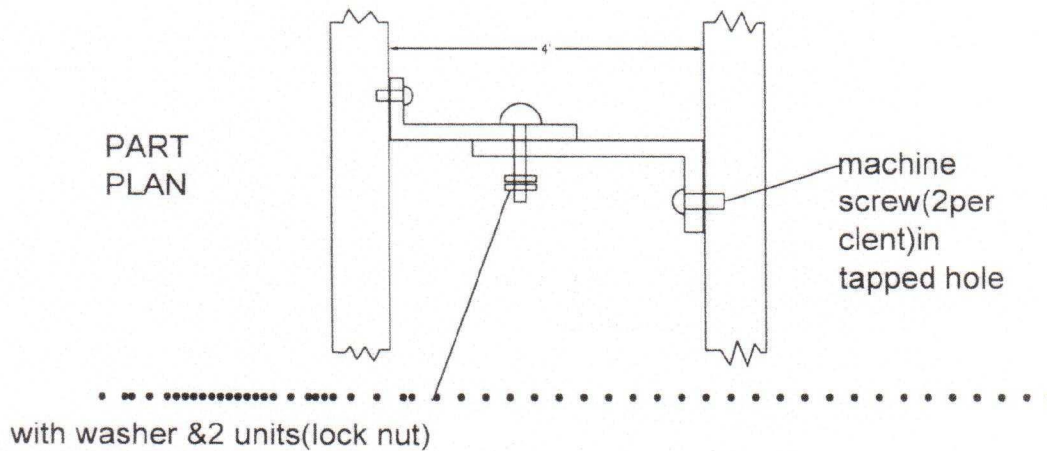
WCC3; 4' long

- Only one shutter shown for clerity in each cabinet
- All cabinets 1'3" deep
- Electrical trunking tube provided below all cabinets

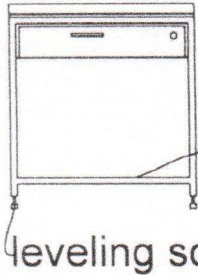
2ms 15/5 amp out lets every 2'



Typical detail for connecting work benches (after installation)





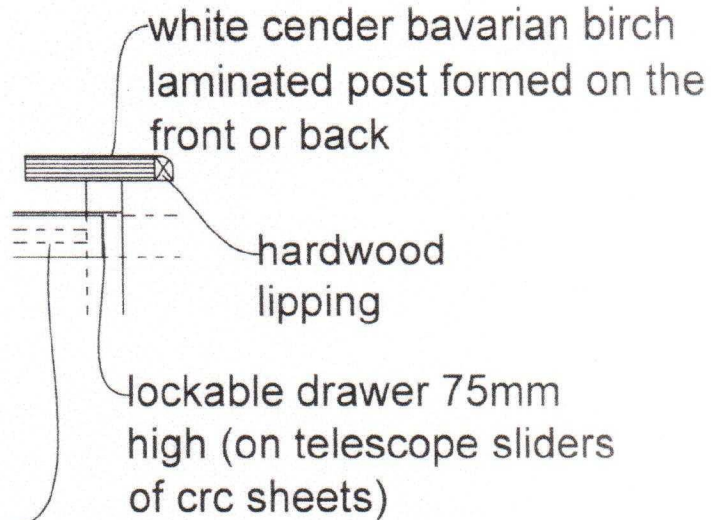


Footrest 200  
inside from front  
leveling screw

STT1 ; student writing table  
750,600,750high(including  
leveling screw)

STT2 ; " " 1500,600,750high

Bearer for slider's



Dwg-2

List of additional types tables with some changes based on  
wwb (wall work beanch)on sheats 1 and 2;

WWB1W; wall work beanch 8',2'wide,3'high with

WWB2W; " " 6',2'wide,3'high

WWB3W; " " 4',2'wide,3'high

SSP2 ; special table 6' ,4'wide,2'6"high with white top

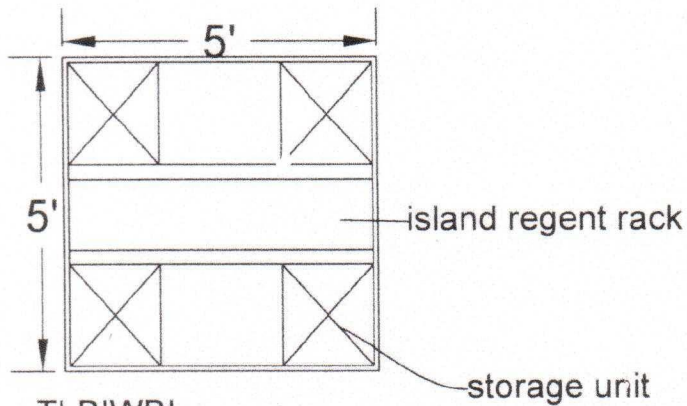
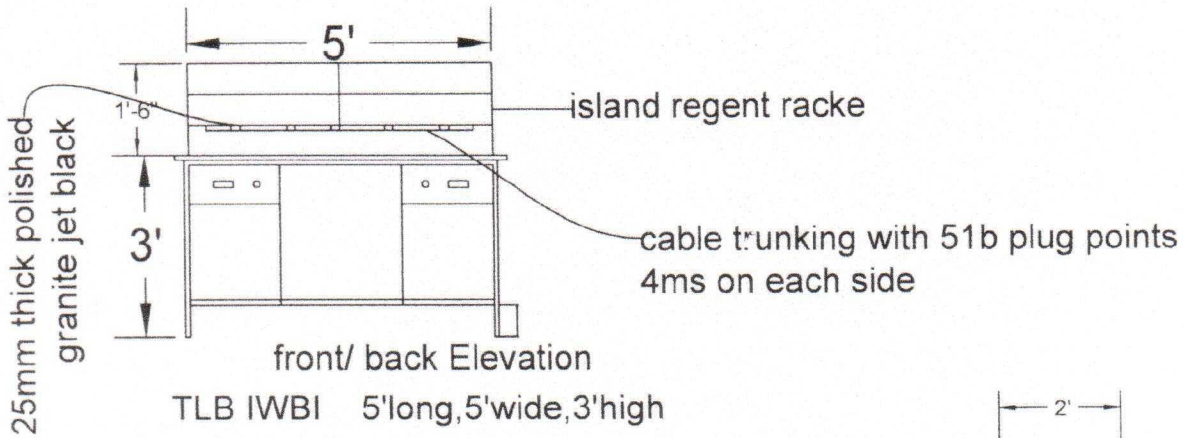
SPT3 ; " " 4',4'wide 2'6" high. SPT3

STT1 ; students'writing table 2'6"long, 2'6"wide and  
2'6"high with laminate top(see detail SST1 alone)  
and 1drawer 3" high 2'6"(n)

SST2 ; " " 5'long,2'wide,2'6"high with 2  
drawers 2'6" wide(n)3" high STT2

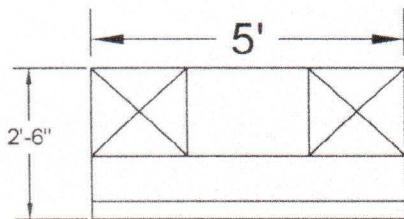
BSU ;big sink unit

ISU ;islant utility shaft



TLBIWBI  
Teaching lab island  
work bench

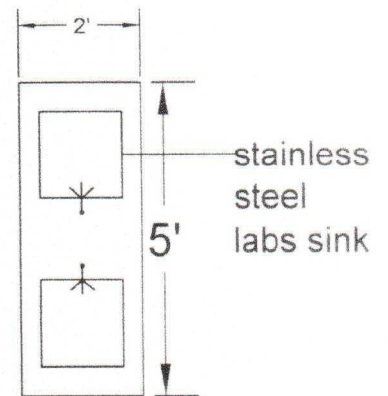
24 nos  
regd



TLBIWB2  
Teaching lab  
island work bench

12 nos  
regd

All construction detail similar to  
research lab tables



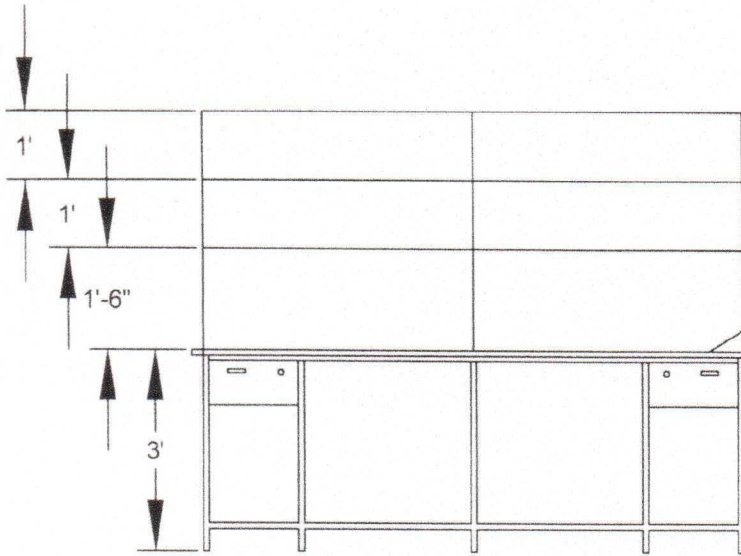
TLB ISUI  
Teaching lab biology  
island sink unit

18 nos  
Regd

cable trunking  
204'

TEACHING LAB  
BIOLOGY

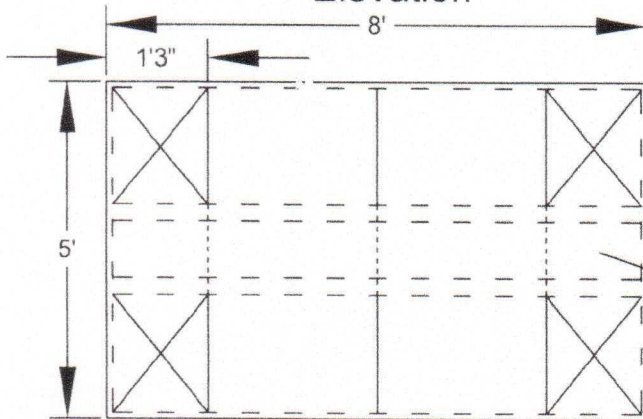




polished let  
black granite  
25mm thick

front/Back  
Elevation

CABLE TRUNKING  
204'



1'3"

8'

5'

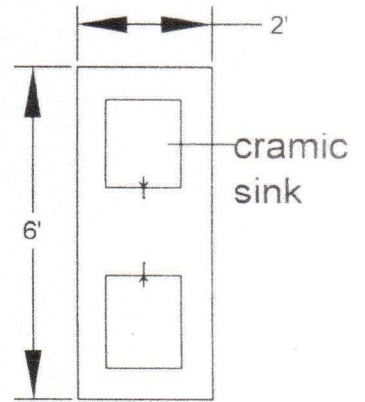
Island reagent rack  
1' wide

TEACHING LAB CHEMISTRY  
will have 12  
fumehoods  
4'wide, 3'deep, 8'high

TLFH

plan

Teaching Lab Chemistry  
Island Work Bench



Island reagent rack  
1' wide

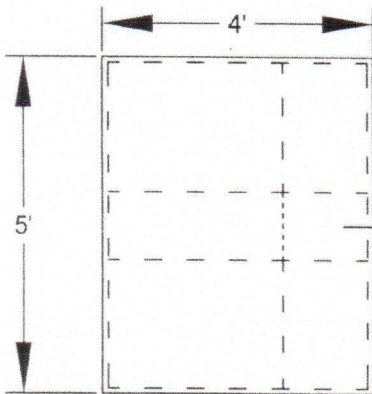
2'

6'

ceramic sink

TLC ISU

12 nos  
regd



island reagent  
rack with cable  
trunking below

18 nos  
reqd

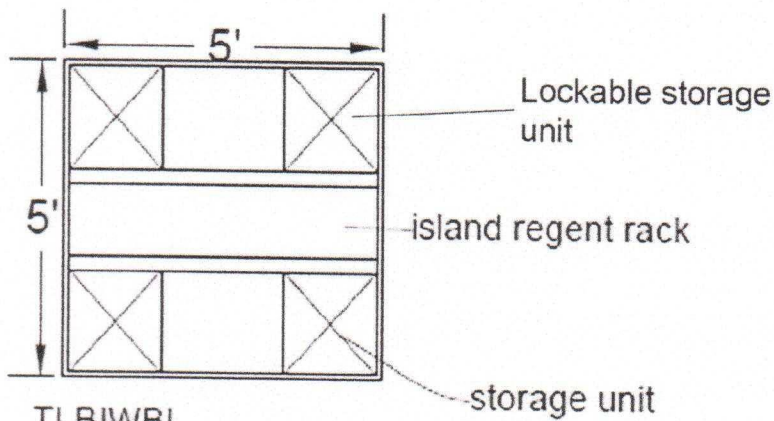
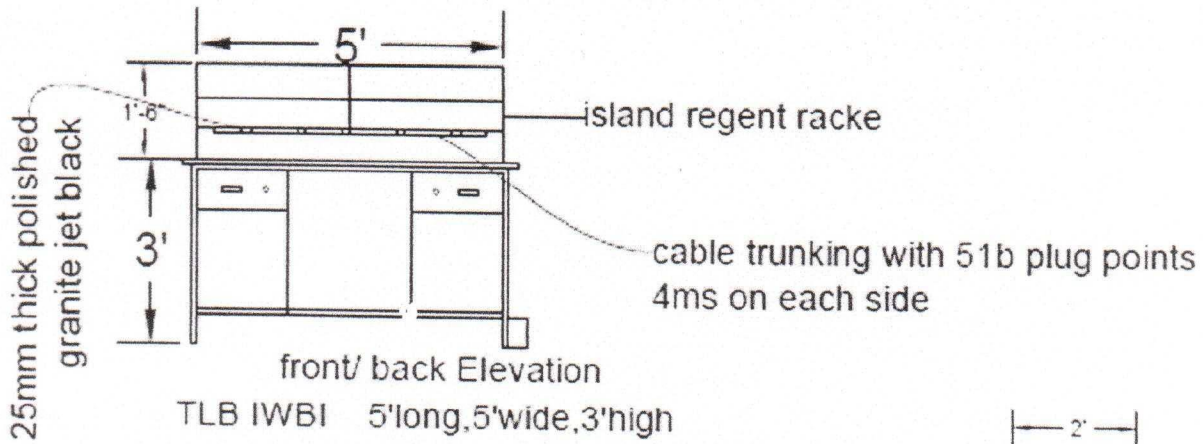
TLC IWB2

TEACHING  
LAB  
CHEMISTRY

construction details similar  
to research lado cables

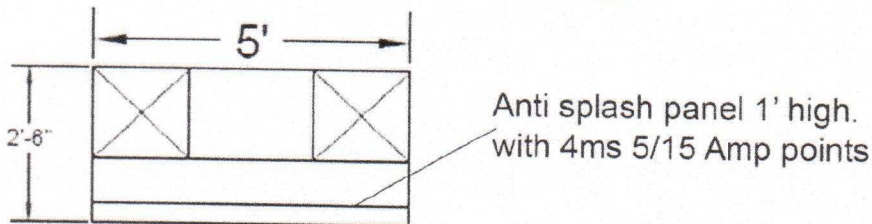
teaching chemistry curve lab





TLBIWBI  
Teaching lab island  
work bench

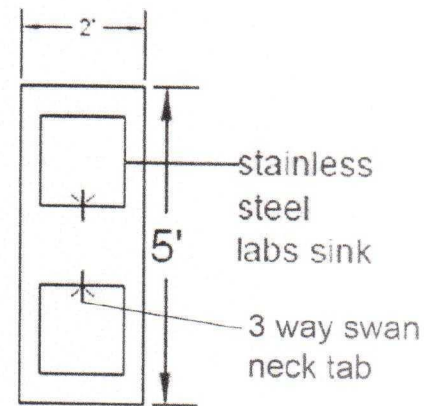
24 nos  
Reqd



TLBIWB2  
Teaching lab  
island work bench

12 nos  
regd

All construction detail similar to  
research lab tables

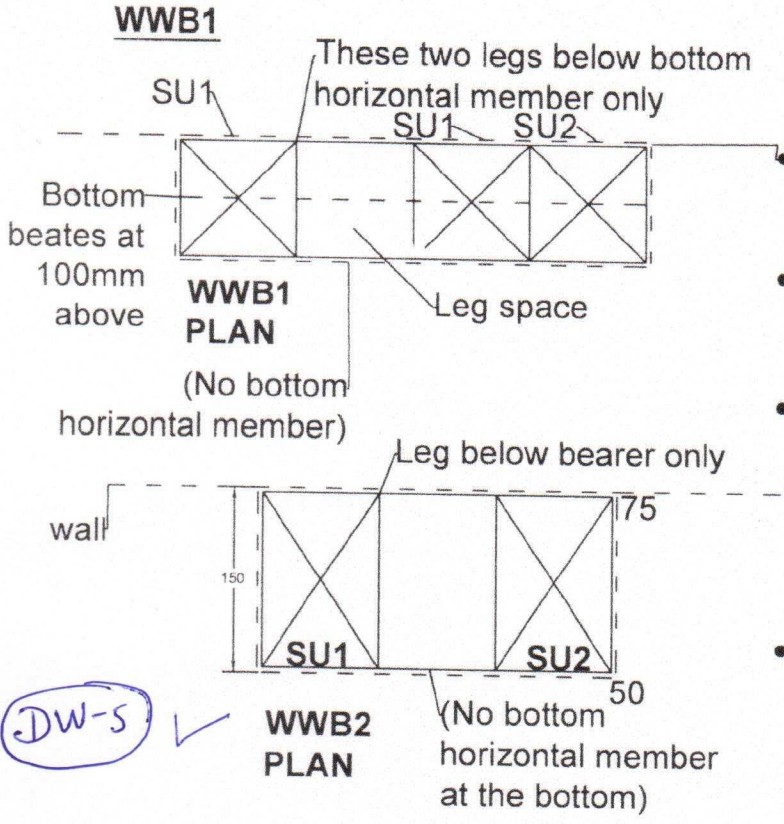


TLB ISUI  
Teaching lab biology  
island sink unit

18 nos  
Reqd

cable trunking  
204'

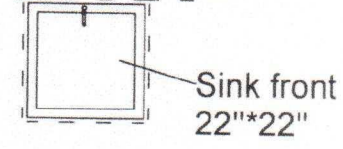
TEACHING LAB  
BIOLOGY



- Granite top projection 75mm at the back (No rounding) with 100 high splashrack of same material
- Other 3 sides projected to be 50mm top edge 1/4 rounded and polished
- Note; where 2 unit are formed that side not to be rounded but straight cut and polished

- All storage units should name group rocking system (or all drawers in one vertical now should have one key)

**WALL SINK UNIT**



WSU(ss); Stainless Steel Sink  
 WSU(c); Ceramic Sink  
 (600 wide, 900 deep, 900 high)

- All work benches 900 and 750mm deep (all work top sides)
- WWB1; wall work bench 2440 (8') long.
- WWB2; wall work bench 1830 (6') long.
- WWB2 1500 long.
- WWB3; wall work bench 1220 long.
- WSU; sink unit against wall 610 long.

WWB2N; wall work bench  
 6'3" high \* 2' wide  
 • WWB2WD; " " "  
 6'3" high \* 3' wide  
 • WWB3WD; " " "  
 4'3" high \* 3' wide

- Expect where mentioned otherwise all tops will be 1st quality plain jet black ceramic polished and rounded/straight cut as below
- see sheet 3 below