



भारतीय विज्ञान शिक्षा एवं अनुसंधान संस्थान मोहाली

मानव संसाधन विकास मंत्रालय, भारत सरकार द्वारा स्थापित
सैक्टर 81, नॉलेजसिटी, प.ओ. मनोली, एस. ए. एस. नगर, मोहाली, पंजाब 140306

INDIAN INSTITUTE OF SCIENCE EDUCATION AND RESEARCH MOHALI

(Established by Ministry of Human Resource Development, Govt. of India)
Sector-81, Knowledge city, PO-Manauli, SAS Nagar Mohali-140306, Punjab
PAN No. - AAAAI1781K TAN No. PTLI10692D

• Phone : +91-172-2240086 & 2240121 • Fax : +91-172-2240124, 2240266 • <http://www.iisermohali.ac.in> • Email: stores@iisermohali.ac.in

CPPP/Institute Website

IISERM(763)17/18Pur.

Dated: 09.05.2017

CORRINGENDUM

In reference to the Tender Notice/Ref. No. IISERM(767)17/18Pur Dated 24.04.2017,
insertion of drawings (attached) as per item wise details furnished in above the tender.

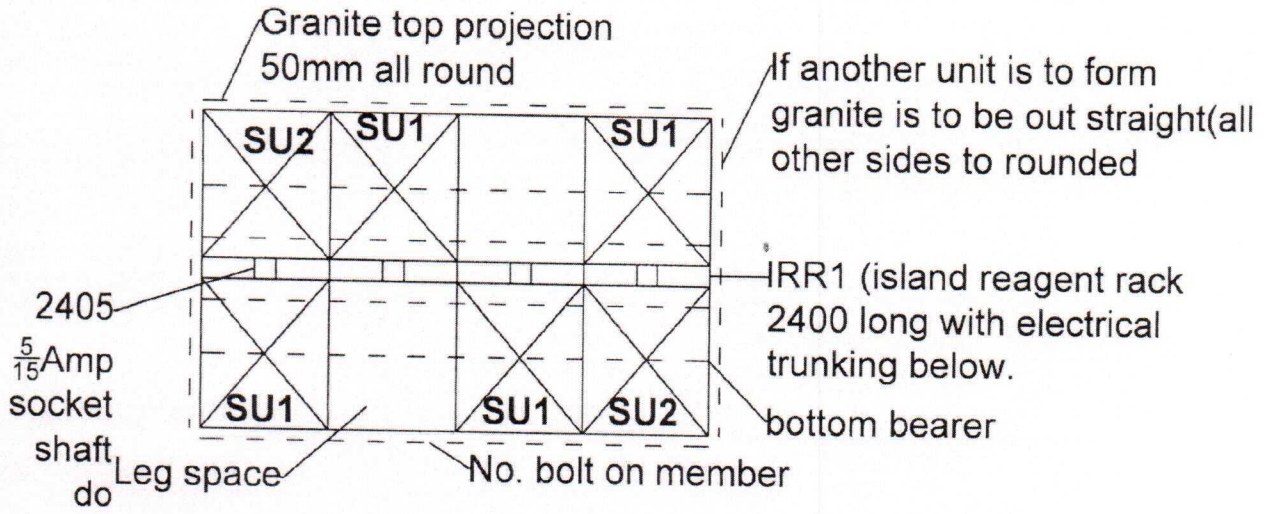
The last date of submission of e-Tender is extended up to 15.05.2017.

Date of opening of tender is: 16.05.2017

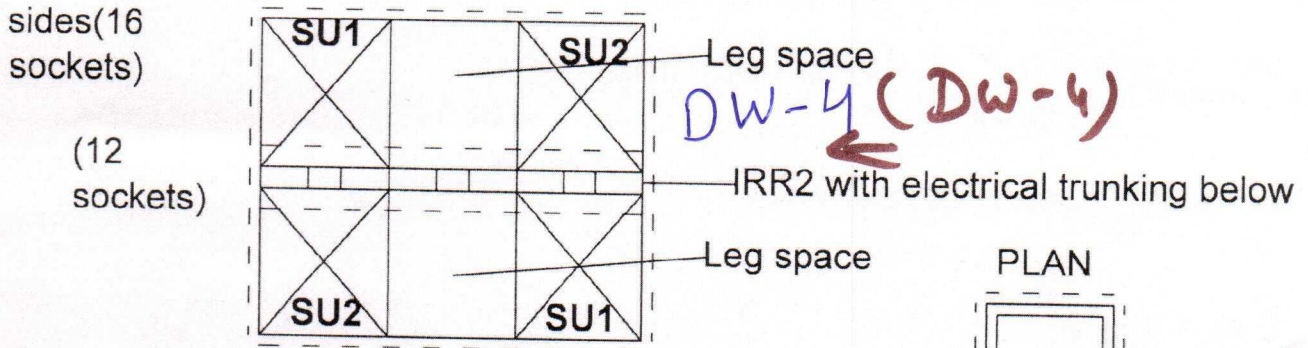
For details kindly refer to cpp portal: <https://eprocure.gov.in/eprocure/app>.

-sd-

(Mukesh Kumar)
Assistant Registrar (S&P)

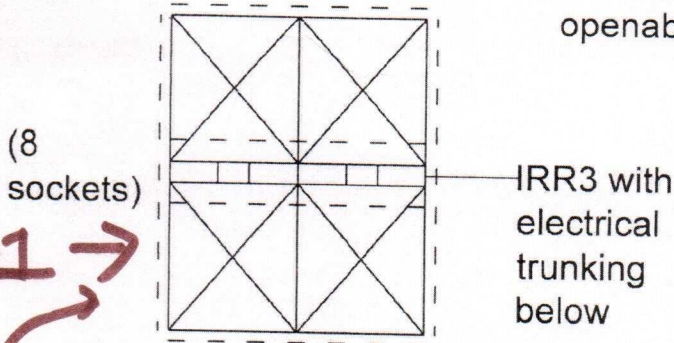
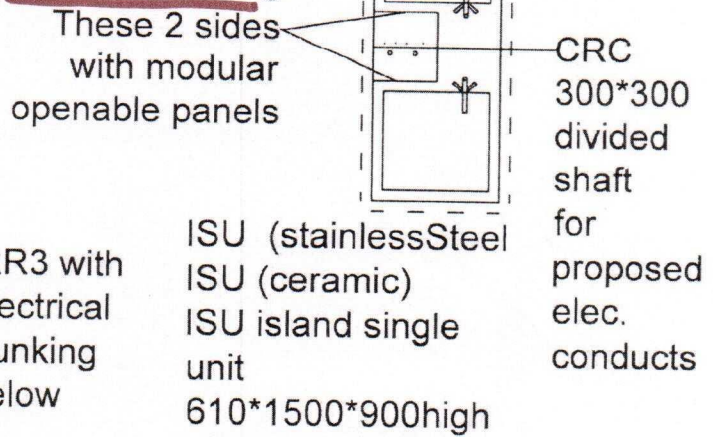


lwb1; island work bench. 2440*1500*900high



lwb2; island work bench. 1800*1500*900high

PLAN



lwb3; island work bench. 1220*1500*900high

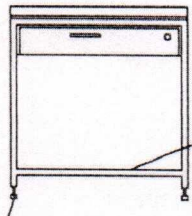
PLAN

lwb4; island work bench. 915*1500*900high

DW-1

(DW 3 & 2) Dimensions as per the indent.

- DW-3+2



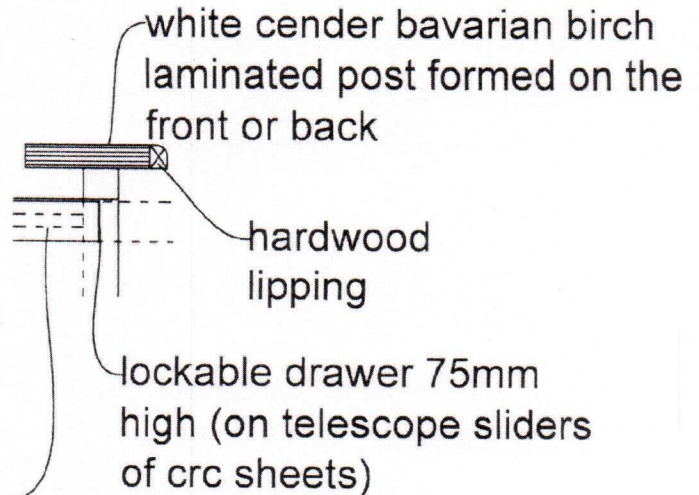
Footrest 200 inside from front

leveling screw

STT1 ; student writing table 750,600,750high (including leveling screw)

STT2 ; " " 1500,600,750high

Bearer for slider's



List of additional types tables with some changes based on wwB (wall work beanch) on sheats 1 and 2;

WWB1W; wall work beanch 8',2'wide,3'high with

WWB2W; " " 6',2'wide,3'high

WWB3W; " " 4',2'wide,3'high

SSP2 ; special table 6' ,4'wide,2'6"high with white top

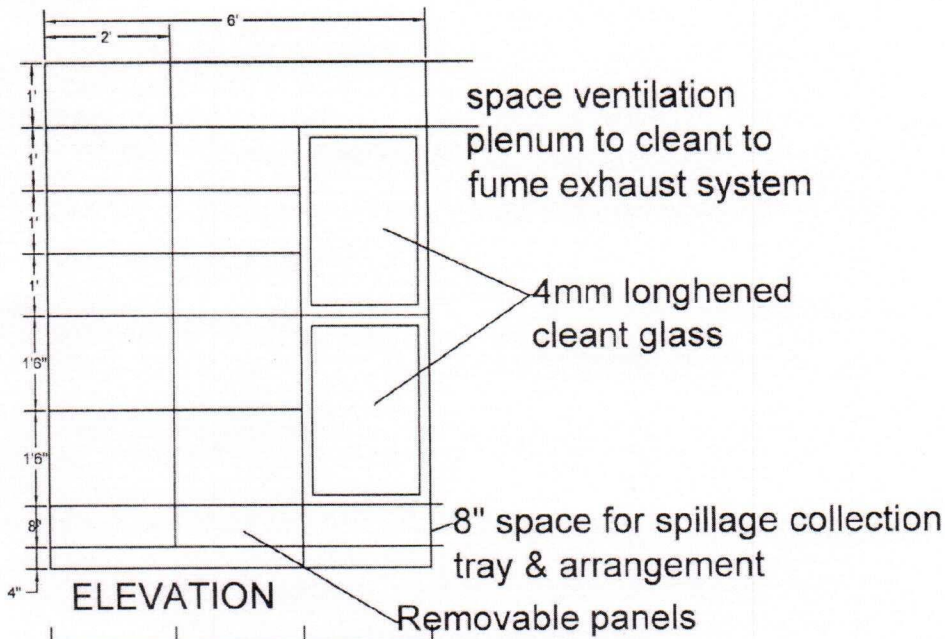
SPT3 ; " " 4',4'wide 2'6" high. SPT3

STT1 ; students'writing table 2'6"long, 2'6"wide and 2'6"high with laminate top(see detail SST1alone) and 1drawer 3" high 2'6"(n)

SST2 ; " " 5'long,2'wide,2'6"high with 2 drawers 2'6" wide(n)3" high STT2

BSU ;big sink unit

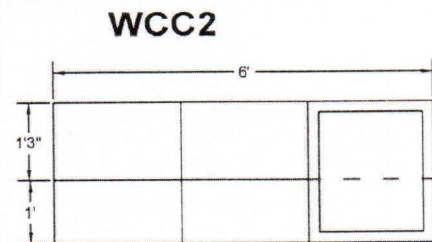
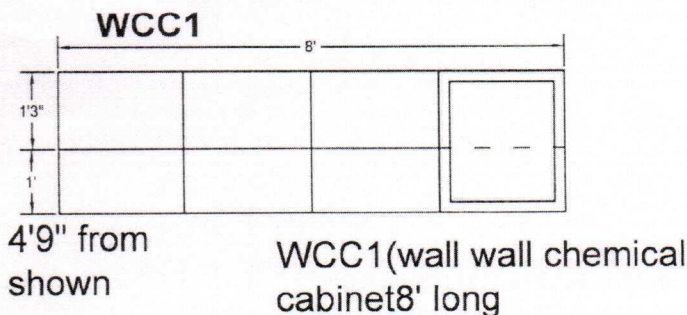
ISU ;islant utility shaft



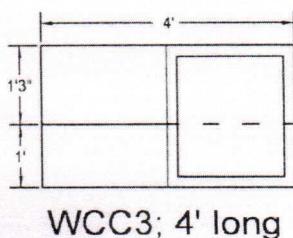
shelves shown without shutter
 shutter for clarity shown without shelves

- All the 3 shutter and 3 bottom shutter shaft the individually lockable brushed stainless pull handles to be provided
- leveling bolts/brushes to provided at the bottom

VCC: Ventilation chemical copboard (vcc) 2'6" deep
 (To be constructed out of crc sheets with each shelf beaing with adequate stiffenets to take the loading (1 shelves 10 kgs; 1'6"shelves; 20kgs each)



2ms 15/5 amp out lets every 2'

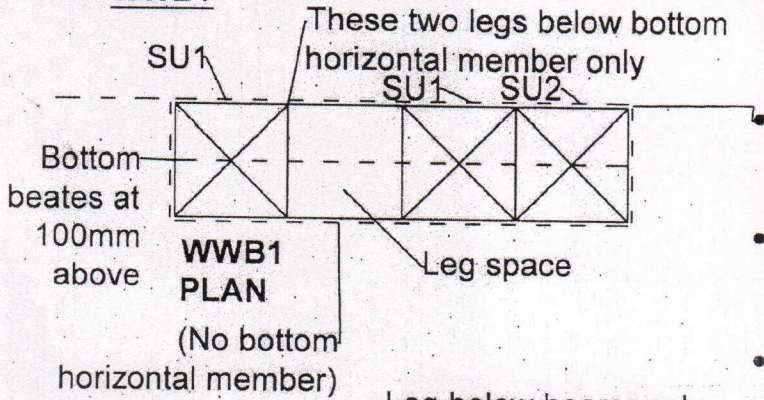


- Only one shutter shown for clerity in each cabinet
- All cabinets 1'3" deep
- Electrical trunking tube provided below all cabinets

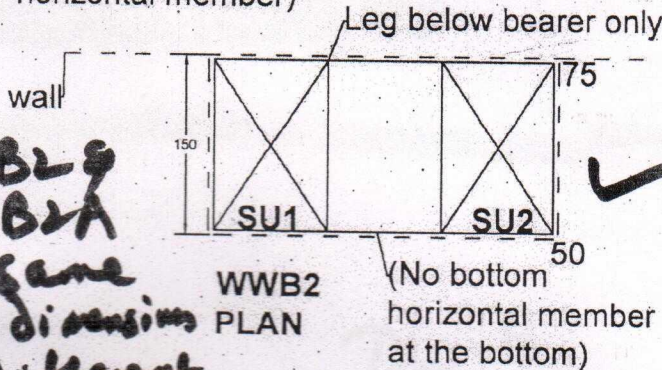
DW-5

DW-5

WWB1

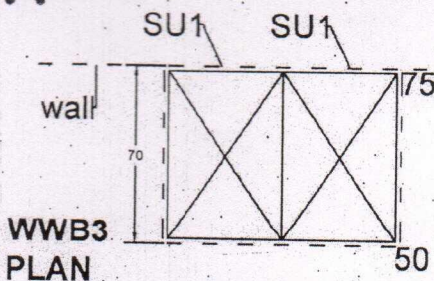


- Granite top projection 75mm at the back (No rounding) with 100 high splashrack of same material
- Other 3 sides projected to be 50mm top edge 1/4 rounded and polished
- Note; where 2 unit are fomed that side not to be rounded but straight cut and polished



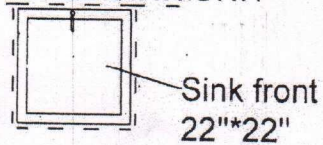
WWB2 & WWB2A are same but dimensions are different

- All storage units should name group rocking system (or all drawers in one vertical now should have one key)



*DW-6
9
DW-7*

WALL SINK UNIT



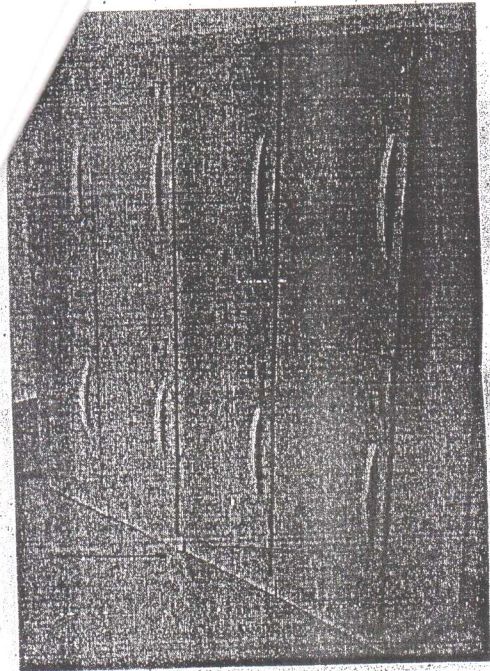
WSU(ss); Stainless Steel Sink
 WSU(c); Ceramic Sink
 (600 wide, 900 deep, 900 high)

- All work benches 900 and 750mm deep (all work top sides)
- WWB1; wall work bench 2440 (8') long.
- WWB2; wall work bench 1830 (6') long.
- WWB2 1500 long. *(WWB2 A)*
- WWB3; wall work bench 1220 long.
- WSU; sink unit against wall 610 long.

WWB2N; wall work bench
 6'3" high * 2' wide
 • WWB2WD; " " "
 6'3" high * 3' wide
 • WWB3WD; " " "
 4'3" high * 3' wide

- Expect where mentionel otherwise all tops will be 1st quality plain jet black ceramic polished and rounded/straight cut as below
- see sheet 3 below

Dimension



DW-8