



# भारतीय विज्ञान शिक्षा एवं अनुसंधान संस्थान मोहाली

शिक्षा मंत्रालय, भारत सरकार द्वारा स्थापित  
सैक्टर 81, नॉलेज सिटी, प. ओ. मनोली, एस. ए. एस. नगर, मोहाली, पंजाब 140306  
INDIAN INSTITUTE OF SCIENCE EDUCATION AND RESEARCH MOHALI  
(Established by Ministry of Education, Govt. of India)

Sector-81, Knowledge city, PO-Manauli, SAS Nagar Mohali-140306, Punjab  
PAN No. - AAAAI1781K GSTIN - 03AAAAI1781K2ZS

• Phone : +91-172- 2240121 • Fax : +91-172-2240124 • <http://www.iisermohali.ac.in> • Email: [stores@iisermohali.ac.in](mailto:stores@iisermohali.ac.in)

CPPP/Institute Website

IISERM (1576)22/23-Pur

Dated: 26<sup>th</sup> September 2022

## ई - निविदा आमंत्रण सूचना

### NOTICE INVITING E-TENDER

He3 प्रणाली के लिए क्रायोजेनिक हीट स्विच के प्रतिस्थापन प्रदान के लिए दो बोली प्रणाली में निदेशक, आईआईएसईआर मोहाली की ओर से ऑनलाइन निविदाएं आमंत्रित की जाती हैं। तकनीकी विनिर्देश और नीचे दिए गए विवरण के अनुसार और सीपीपीपी पर मूल निर्माता/आपूर्तिकर्ता से बीओक्यू सूची अर्थात् <https://eprocure.gov.in/eprocure/app> निविदा दस्तावेज ई-प्रोक्योरमेंट पोर्टल की वेबसाइट <https://eprocure.gov.in/eprocure/app> और संस्थान की वेबसाइट [www.iisermohali.ac.in](http://www.iisermohali.ac.in) से डाउनलोड किए जा सकते हैं।

Online tenders are invited on behalf of the Director, IISER Mohali in **TWO BID SYSTEM** for the **Providing replacement of cryogenic heat switch for He3 system** as per technical specification and details given below and BOQ list from the original manufacturer/supplier at CPPP i.e. <https://eprocure.gov.in/eprocure/app>. Tender documents may please be downloaded from the E-procurement portal website <https://eprocure.gov.in/eprocure/app> & Institute website [www.iisermohali.ac.in](http://www.iisermohali.ac.in).

Sd/-

सहायक कुलसचिव (क्रय तथा भंडार)  
Assistant Registrar (Stores & Purchase)



# भारतीय विज्ञान शिक्षा एवं अनुसंधान संस्थान मोहाली

शिक्षा मंत्रालय, भारत सरकार द्वारा स्थापित  
सैक्टर 81, नॉलेज सिटी, प. ओ. मनोली, एस. ए. एस. नगर, मोहाली, पंजाब 140306  
INDIAN INSTITUTE OF SCIENCE EDUCATION AND RESEARCH MOHALI  
(Established by Ministry of Education, Govt. of India)  
Sector-81, Knowledge city, PO-Manauli, SAS Nagar Mohali-140306, Punjab  
PAN No. - AAAAI1781K GSTIN - 03AAAAI1781K2ZS

• Phone : +91-172- 2240121 • Fax : +91-172-2240124 • <http://www.iisermohali.ac.in> • Email: [stores@iisermohali.ac.in](mailto:stores@iisermohali.ac.in)

CPPP/Institute Website

## ई - निविदा आमंत्रण सूचना / E-TENDER NOTICE

Tender Ref.- IISERM(1576)22/23-Pur	Dated : 26 <sup>th</sup> September 2022
------------------------------------	---

### Critical Date Sections

Sr.	Description	Date	Time
1.	Tender Publishing Date and time	26 <sup>th</sup> September 2022	6:00pm
2.	Tender Document download start Date & Time	26 <sup>th</sup> September 2022	6:00pm
3.	Bid Submission start Date & Time	26 <sup>th</sup> September 2022	6:00pm
4.	Bid Submission End date and Time	17 <sup>th</sup> October 2022	Upto 11:00am
5.	Tender opening Date and Time	18 <sup>th</sup> October 2022	At 11:30am

Online tenders are invited on behalf of the Director, IISER Mohali in **TWO BID SYSTEM** for following item(s) from the original manufacturer/supplier at CPPP i.e. <https://eprocure.gov.in/eprocure/app>. Tender documents may please be downloaded from the E-procurement portal website <https://eprocure.gov.in/eprocure/app> & Institute website [www.iisermohali.ac.in](http://www.iisermohali.ac.in). Online Tender fee of Rs 590/- (Non-refundable) should be submitted by bidder in favour of IISER Mohali through Online mode in Institute Account (Canara Bank Saving Account Number 4790101001912 and IFSC Code CNRB0004790). However, scanned copy of the Tender fee paid and UTR copy should be uploaded on website along with technical bid. **Micro & MSME/NSIC and Firms registered and the firms registered with concerned Ministries/ Departments, the bidders are exempted from payment of Tender Fee as per GOI notifications/GFR (2017) and Ministry of Finance OM No. F.9/4/2020-PPD dated 12 November 2020.**

**Bidders will also be required to execute bond/undertaking Bid Security Declaration Form attached as ANNEXURE-I in lieu of EMD.**

## **ITEM WISE DETAILS**

<b>Sr. No.</b>	<b>Description</b>	<b>Qty. (in units)</b>
<b>1.</b>	<p><b>Providing replacement of cryogenic heat switch for He3 system-</b></p> <p><b>Technical Specification:</b></p> <p><b>I.</b> A drawing of the gold plated OFHC (oxygen-free high thermal conductivity) copper part is attached (<b>Annexure-II</b>). The drawing consists of two gold plated OFHC copper parts connected by phosphor bronze springs. The two gold plated OFHC copper parts are also connected by copper braids.</p> <p>a) The length of the gold plated OFHC copper part on top of the spring is 74mm and the length of the gold plated OFHC copper part on the bottom is 75.9mm. The maximum diameter of the gold plated OFHC copper part is 42mm.</p> <p>b) The length of both springs should be 100mm.</p> <p>c) An aluminium (Al) bush will be required on the top of the spring as shown in the drawing.</p> <p>d) The total length of copper braided wire required is 1 meter and the diameter of the copper braids will be 3.2mm.</p> <p><b>II. Two other drawings are also attached (Annexure-III)</b></p> <p>a) In the drawing on [<b>Annexure III(A)</b>] upper part should be made of OFHC copper and the bottom part should be made of Delrin.</p> <p>b) Drawing on [<b>Annexure III(B)</b>] should be made of OFHC copper.</p> <p><b>III. Note –</b></p> <p>a) All the dimensions should be the same as the drawing.</p> <p>b) A Solid works drawing will be provided to make the dimension perfectly after receiving the quotation.</p> <p>c) Additional details will be provided against reasonable requests.</p>	<b>01</b>

### **A) IMPORTANT NOTES:-**

- I. Restriction under Rule 144 (xi) of the General Financial Rules (GFRs), 2017 under sub clause 3, in terms of DOE, MoF No. F.18/37/2020-PPD dated: 8<sup>th</sup> February, 2021:**
- (i) A bidder is permitted to procure raw material, components, sub-assemblies etc. from the vendors from countries which shares a land border with India. Such vendors will not be required to be registered with the Competent Authority, as it is not regarded as "sub-contracting".
- (ii) However, in case a bidder has proposed to supply finished goods procured directly/indirectly from the vendors from the countries sharing land border with India, such vendor will be required to be registered with the Competent Authority.
- II. The online updated Price BOO is in INR format. Bids are invited in INR only against domestic tender.**

- III. **The Online bids should be submitted directly by the original manufacturer/supplier/OEM, the OEM is required to furnish certificate to this effect. If quotation is submitted/filled by any representative/ agent/dealer then they must upload a Authorization Authority certificate from the principal company/OEM.**
- IV. **All MSME/NSIC/Startup Units shall be considered as per provisions/rules prescribed by Govt of India.**
- V. **Auto-extension of last date for E-Tenders has been activated by CPP Portal which has participation 2 bids or less.**

## **B) SUBMISSION OF TENDER**

- I. All bid/ tender documents are to be uploaded online at Central Public Procurement portal i.e. <https://eprocure.gov.in/eprocure/app> only and in the designated cover/ part on the website against tender ID. Tenders/ bids shall be accepted only through online mode and no manual submission of the same shall be entertained except tender fee and Annexure I (Bid Securing Declaration Form). Late tenders will not be accepted.
- II. The online bids shall be opened at the office of the Assistant Registrar (S&P), IISER Mohali, on above given date and time. If the tender opening date happens to be on a holiday or non-working day due to any other valid reason, the tender opening process will be attended on the next working day at same time and place. IISER Mohali will not be responsible for any error like missing of schedule data while downloading by the Bidder.
- III. **The bidder shall upload the tender documents/NIT duly filled in and stamped by the authorized signatory on each and every page along with all necessary Annexures as per NIT. Tender not submitted/uploaded in the prescribed form and as per the tender terms and conditions shall be liable for rejection.**

### **Check List of Documents (signed & stamped) to be provided and attached by the bidder:**

S. No.	Particulars of Documents	Yes/No	Page No. (As per technical bid)
1.	<b>Tender Notice Document Copy of NIT</b> (signed copy of all pages of NIT)		
2.	<b>Technical Compliance Sheet</b>		
3.	<b>Authorization/MAF Certificate</b> from OEM (principle)/ Manufacturer certificate		
4.	<b>Tender Fee</b> , if applicable or Exemption Certificate (NSIC/MSME Certificate)		
5.	Undertaking Bid Security Declaration Form – <b>Annexure-I</b> <b>(on letter head duly signed and sealed)</b>		
6.	<b>Annexure-II</b> declaration of Local content/MII, with complete information (if applicable)	N/A	—
7.	<b>Attached Copy of PAN</b>		
8.	<b>Attached Copy of GST</b>		

*\* As per checklist, the bidders are required to furnish the above documents along with technical bid non submission of any documents; the bid shall be summarily rejected.*

- IV. **Bidders applying against “MSME/NSIC Certificate” issued by appropriate Authority, should ensure that the certificate attached is relevant to the area of service/supply. For example, If the tender is for “supply & installation of Desktop” the certificate should be issued for activity/area of “Computer supply and services activities etc” otherwise bid will be REJECTED without notice.**

- V. E-procurement system ensures locking on the scheduled date and time. The system will not accept any bid after the scheduled date and time of submission of bid.

### C) **INSTRUCTIONS**

1. The Online bids should be submitted directly by the original manufacturer/supplier, If quotation is submitted/filled by any representative/agent/dealer then they must upload a authority certificate from the principal company for quoting the price otherwise such quotation will be rejected.
2. The quantity mentioned in this inquiry is and shall be deemed to be only approximate and will not in any manner be binding on the Institute. Before the deadline for submission of the online bid, IISER Mohali reserves the right to modify the tender document terms and conditions. Such amendment/modification will be notified on website against said tender ID.
3. The rates offered should be FOR Chandigarh/Mohali in case of firms situated outside Chandigarh/Mohali, and free delivery at the Institute premises in case of local firms. Conditional tenders will be summarily rejected.
4. In case of Ex-godown terms the amount of packaging forwarding freight etc. should clearly be indicated by percentage or lump sum amount. Institute has policy not to make any advance payments towards any purchase, Letter of credit can be opened if required.
5. **Custom Duty, applicable as per GOI Norms.**
6. **GST, applicable as per GOI Norms.**
7. Bidder/s quoting in currency other than **Indian Rupee (INR)** should explicitly mention the currency in which tender quoted wherever applicable in Technical Bid along the tender documents.
8. The delivery period should be specifically stated. Earlier delivery will be preferred.
9. **The firms are requested to provide/upload detailed description and specifications together with the detailed drawings, printed leaflets & literature of the article quoted** and also should enclose **Technical Compliance Sheet.** The name of the manufactures and country of manufacture should also invariably be stated. In the absence of these particulars and documents, the quotation is liable for rejection. Tenders not accompanied by detailed information as required, are liable to be rejected.
10. If any information furnished by the bidder is, at any stage found to be incorrect, false or fabricated, the Institute/purchaser shall have the absolute right to forfeit the security deposits, in addition to cancellation of contract, forfeiting the warranty/performance Guarantees and other action in accordance with law, such as black-listing, risk & cost etc.
11. Validity of offer: 90 days.
12. The warranty period after satisfactory installation should be mentioned and firm should replace all manufacturing defect parts/ whole item under warranty without any extra cost including clearance, freight, taxes. Security deposit/Performance Bank Guarantee @ 3% of the value of supply order, in terms of *Ministry of Finance, DoE, GOI, OM. No. F.9/42020-PPD dated 12-11-2020 and extension of vide circular no. F.9/4/2020-PPD dated: 30<sup>th</sup> December 2021* as per norms may be sought from the firms.
13. The right to reject all or any of the quotation and to split up the requirements for itemized L-1 or relax any or all the above conditions without assigning any reason is reserved by the IISER Mohali. For any corrigendum and addendum please be checked the website <https://eprocure.gov.in/eprocure/app> and <http://www.iisermohali.ac.in>
14. Disputes, if any, shall be subject to jurisdiction in the court of Mohali only.

सहायक कुलसचिव (क्रय तथा भंडार)  
Assistant Registrar (Stores & Purchase)

**ANNEXURE-I**

**Bid Securing Declaration Form**

Date: \_\_\_\_\_ E-Tender No. \_\_\_\_\_ E-Tender ID \_\_\_\_\_

To (insert complete name and address of the purchaser)  
I/We. The undersigned, declare that:

I/We understand that, according to your conditions, bids must be supported by a Bid Securing Declaration.

I/We accept that I/We may be disqualified from bidding for any contract with you for a period of one year from the date of notification if I am /We are in a breach of any obligation under the bid conditions, because I/We

- a) have withdrawn/modified/amended, impairs or derogates from the tender, my/our Bid during the period of bid validity specified in the form of Bid; or
- b) having been notified of the acceptance of our Bid by the purchaser during the period of bid validity (i) fail or reuse to execute the contract, if required, or (ii) fail or refuse to furnish the Performance Security, in accordance with the Instructions to Bidders. I/We understand this Bid Securing Declaration shall cease to be valid if I am/we are not the successful Bidder, upon the earlier of (i) the receipt of your notification of the name of the successful Bidder; or (ii) thirty days after the expiration of the validity of my/our Bid.

Signed: (insert signature of person whose name and capacity are shown)  
in the capacity of (insert legal capacity of person signing the Bid Securing Declaration)

Name: (insert complete name of person signing the Bid Securing Declaration)  
Duly authorized to sign the bid for an on behalf of (insert complete name of Bidder)

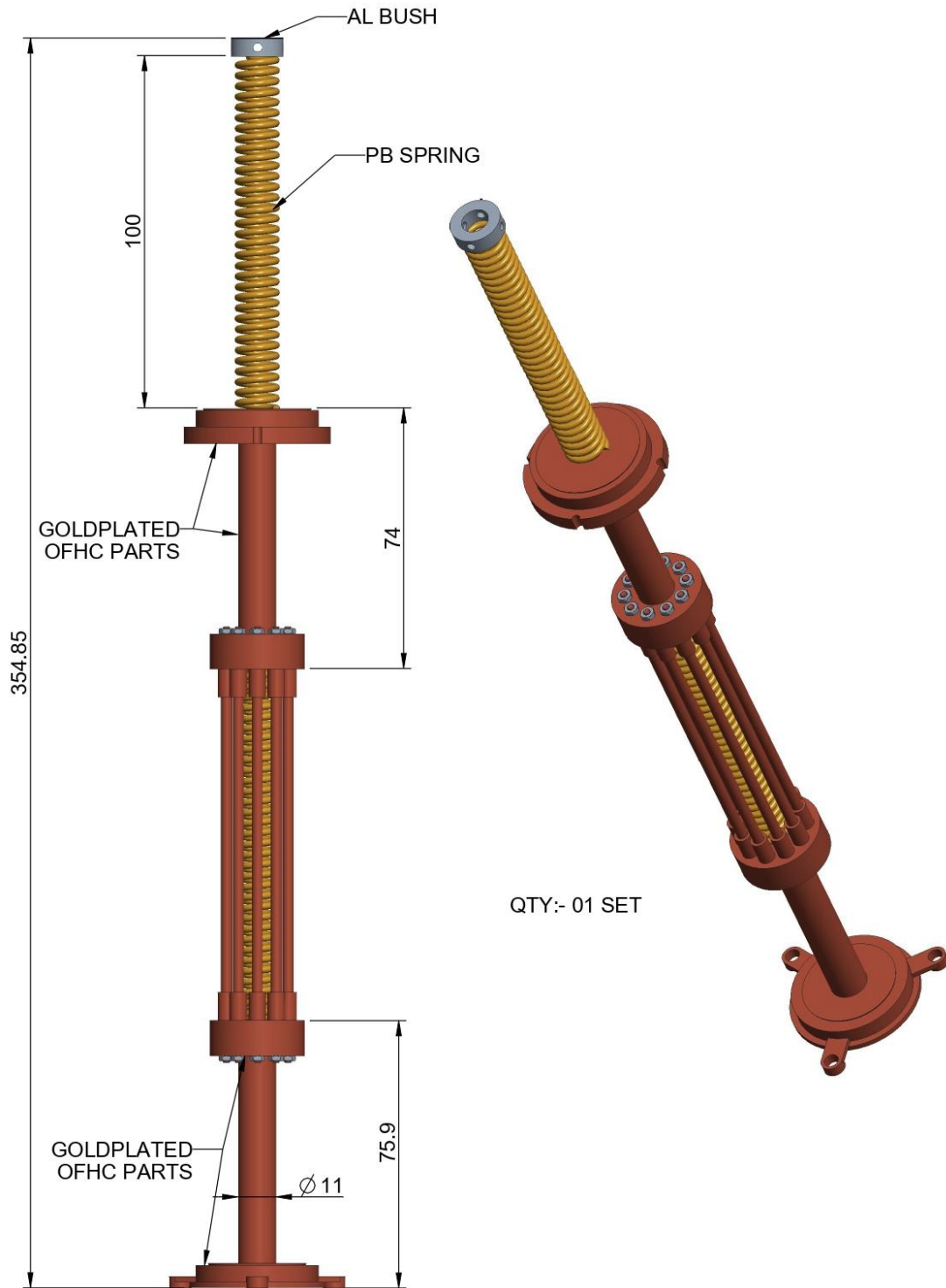
Dated on \_\_\_\_\_ day of \_\_\_\_\_ (insert date of signing)  
Corporate Seal (where appropriate)

Name and Address: \_\_\_\_\_  
\_\_\_\_\_

(Note: In case of a Joint Venture, the Bid Securing Declaration must be in the name of all partners to the Joint Venture that submits the bid)

PS: *Furnish the above in original stationary/letter head with signed and sealed.*

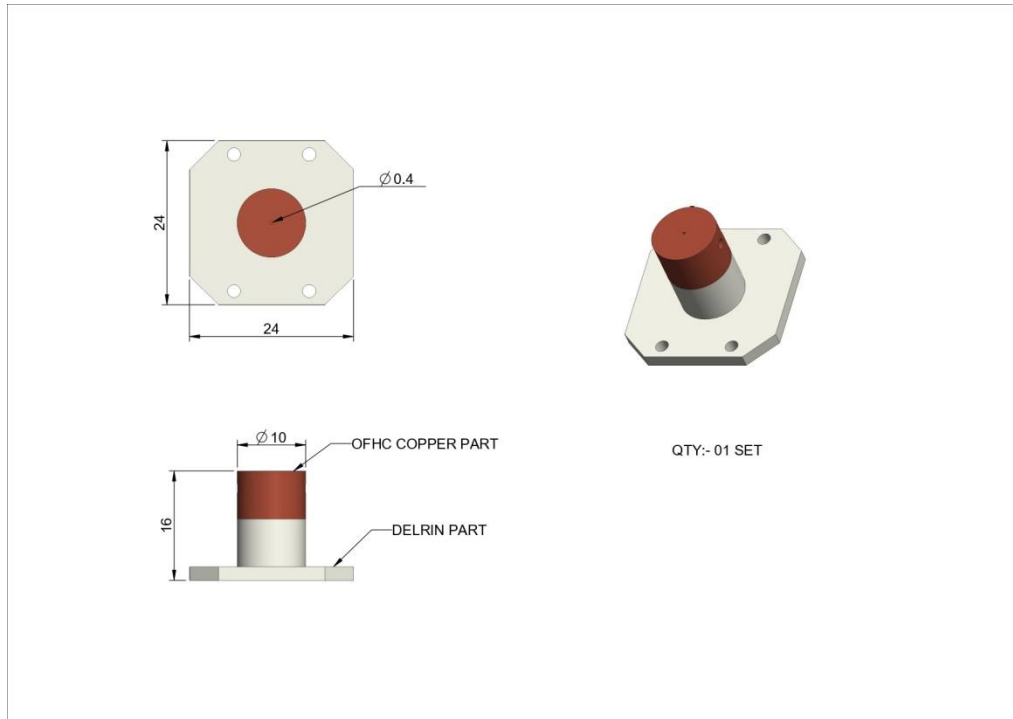
**ANNEXURE-II**





# ANNEXURE-III

(A)



(B)

