



भारतीय विज्ञान शिक्षा एवं अनुसंधान संस्थान मोहाली

शिक्षा मंत्रालय, भारत सरकार द्वारा स्थापित
सैक्टर 81, नॉलेज सिटी, प. ओ. मनोली, एस. ए. एस. नगर, मोहाली, पंजाब 140306
INDIAN INSTITUTE OF SCIENCE EDUCATION AND RESEARCH MOHALI
(Established by Ministry of Education, Govt. of India)
Sector-81, Knowledge city, PO-Manauli, SAS Nagar Mohali-140306, Punjab
PAN No. - AAAAI1781K GSTIN - 03AAAAI1781K2ZS

• Phone : +91-172- 2240121 • Fax : +91-172-2240124 • <http://www.iisermohali.ac.in> • Email: stores@iisermohali.ac.in

CPPP/Institute Website

IISERM (1545)22/23-Pur

Dated: 06th April 2022

ई - निविदा आमंत्रण सूचना NOTICE INVITING E-TENDER

इच्छुक फिंगर स्कैनर, लंबवत स्थिति स्कैनर और यूएस / पीए संवहनी स्कैनिंग और इमेजिंग के लिए घूर्णी और अनुवाद चरण, आरएटी स्कैनर की स्थिति के लिए एक्स-वाई-स्टेज की आपूर्ति और स्थापना के लिए दो बोली प्रणाली में निदेशक, आईआईएसईआर मोहाली की ओर से ऑनलाइन निविदाएं आमंत्रित की जाती हैं। तकनीकी विनिर्देश और नीचे दिए गए विवरण के अनुसार और सीपीपीपी पर मूल निर्माता/आपूर्तिकर्ता से बीओक्यू सूची अर्थात् <https://eprocure.gov.in/eprocure/app> निविदा दस्तावेज ई-प्रोक्योरमेंट पोर्टल की वेबसाइट <https://eprocure.gov.in/eprocure/app> और संस्थान की वेबसाइट www.iisermohali.ac.in से डाउनलोड किए जा सकते हैं।

Online tenders are invited on behalf of the Director, IISER Mohali in **TWO BID SYSTEM** for the **Supply and Installation of Inclined Finger Scanner, Vertical Position Scanner and Rotational & translational stage for US/PA vascular scanning and imaging, X-Y-Stage for Positioning of RAT Scanner** as per technical specification and details given below and BOQ list from the original manufacturer/supplier at CPPP i.e. <https://eprocure.gov.in/eprocure/app>. Tender documents may please be downloaded from the E-procurement portal website <https://eprocure.gov.in/eprocure/app> & Institute website www.iisermohali.ac.in.

Sd/-

सहायक कुलसचिव (क्रय तथा भंडार)
Assistant Registrar (Stores & Purchase)

NOTE: This is a domestic Tender according to the DPIIT Order dated 15/07/2017 and subsequent amendments to the order for Public Procurement Preference & PROVISION FOR LOCAL SUPPLIERS TOWARDS PREFERENCE TO MAKE IN INDIA. The bidder required to declare on the letter head the percentage of Local content for the quoted instrument and submit with the Technical Bid. Bidder should also give details of the location(s) at which the local value addition is made.



भारतीय विज्ञान शिक्षा एवं अनुसंधान संस्थान मोहाली

शिक्षा मंत्रालय, भारत सरकार द्वारा स्थापित
सैक्टर 81, नॉलेज सिटी, प. ओ. मनोली, एस. ए. एस. नगर, मोहाली, पंजाब 140306
INDIAN INSTITUTE OF SCIENCE EDUCATION AND RESEARCH MOHALI
(Established by Ministry of Education, Govt. of India)
Sector-81, Knowledge city, PO-Manauli, SAS Nagar Mohali-140306, Punjab
PAN No. - AAAAI1781K GSTIN - 03AAAAI1781K2ZS

• Phone : +91-172- 2240121 • Fax : +91-172-2240124 • <http://www.iisermohali.ac.in> • Email: stores@iisermohali.ac.in

CPPP/Institute Website

ई - निविदा आमंत्रण सूचना / E-TENDER NOTICE

Tender Ref.- IISERM(1545)22/23-Pur

Dated : 06th April 2022

Critical Date Sections

Sr.	Description	Date	Time
1.	Tender Publishing Date and time	06 th April 2022	6:00pm
2.	Tender Document download start Date & Time	06 th April 2022	6:00pm
3.	Bid Submission start Date & Time	06 th April 2022	6:00pm
4.	Bid Submission End date and Time	26 th April 2022	Upto 11:00am
5.	Tender opening Date and Time	27 th April 2022	At 11:30am

Online tenders are invited on behalf of the Director, IISER Mohali in **TWO BID SYSTEM** for following item(s) from the original manufacturer/supplier at CPPP i.e. <https://eprocure.gov.in/eprocure/app>. Tender documents may please be downloaded from the E-procurement portal website <https://eprocure.gov.in/eprocure/app> & Institute website www.iisermohali.ac.in. Online Tender fee of Rs 590/- (Non-refundable) should be submitted by bidder in favour of IISER Mohali through Online mode in Institute Account (Canara Bank Saving Account Number 4790101001912 and IFSC Code CNRB0004790). However, scanned copy of the Tender fee/UTR copy should be uploaded on website along with technical bid. **Micro & MSME/NSIC and Firms registered and the firms registered with concerned Ministries/ Departments, the bidders are exempted from payment of Tender Fee as per GOI notifications/GFR (2017) and Ministry of Finance OM No. F.9/4/2020-PPD dated 12 November 2020.**

Bidders will also be required to execute bond/undertaking Bid Security Declaration Form attached as ANNEXURE-I for availing exemption to submit Tender Fee.

ITEM WISE DETAILS

Sr. No.	Description	Qty. (in units)
1.	<p>SUPPLY AND INSTALLATION OF INCLINED FINGER:</p> <p><u>TECHNICAL SPECIFICATIONS:</u></p> <ul style="list-style-type: none"> ➤ OVERALL SIZE : LXWXH : 860X250X340 ➤ STRUCTURE: BASE-ALUMINIUM BLACK ANODISED ➤ SLIDE: MS/CAST IRON ➤ PARTS IMMERSSED IN WATER: SS316 ➤ PARTS CONNECTED TO TANK MATERIAL: SS316 ➤ SHAFT MATERIAL: SS316 ➤ VERTICAL MOVEMENT (Z) : 75MM ➤ STEPPER MOTOR WITH FEEDBACK AND PRECISION BALLSCREW TO BE USED. ➤ PRECISION ROLLING GUIDEWAYS ➤ TANK INSIDE DIA @310MM AND THICK:10MM ➤ ROTATING ASSEMBLY: PRECISION SPINDLE ASSEMBLY TO SECURELY HOLD THE TANK AND STEEL PIPE. ➤ STEPPER MOTOR WITH FEEDBACK TO BE CONNECTED TO THE SPINDLE USING BELT AND PULLEY. ➤ MOTOR SHOULD BE ABLE TO ROTATE THE TANK FILLED WITH WATER TO PRECISELY PROGRAMMED LOCATION <p>❖ <i>FOR IMAGE – KINDLY REFER ANNEXURE III</i></p> <p>❖ <u>Only manufacturers can take part in the bidding and should have 5 years' experience of making CNC, 4 axis, 5 Axis machines.</u></p>	01
2.	<p>SUPPLY AND INSTALLATION OF VERTICAL POSITION SCANNER:</p> <p><u>TECHNICAL SPECIFICATIONS:</u></p> <ul style="list-style-type: none"> ➤ OVERALL SIZE : LXWXH : 275X150X450 ➤ STRUCTURE: MS / CAST IRON (POWDER COATED) ➤ PARTS CONNECTED TO TANK MATERIAL: SS316 ➤ VERTICAL TANK EXTENSION SHAFT MATERIAL: SS316 ➤ VERTICAL MOVEMENT (Z) : 75MM ➤ STEPPER MOTOR CLOSED LOOP AND PRECISION BALLSCREW TO BE USED. ➤ PRECISION ROLLING GUIDEWAYS ➤ TANK INSIDE DIA @100MM AND THICK:10MM ➤ ROTATING ASSEMBLY: PRECISION HOLLOW SPINDLE ASSEMBLY TO SECURELY HOLD THE TANK AND STEEL PIPE. SHOULD HAVE WATER DRAINAGE PORT FORM BOTTOM ➤ STEPPER MOTOR CLOSED LOOP TO BE CONNECTED TO THE SPINDLE USING BELT AND PULLEY. ➤ MOTOR SHOULD BE ABLE TO ROTATE THE TANK FILLED WITH WATER TO PRECISELY PROGRAMMED LOCATION <p>❖ <i>FOR IMAGE – KINDLY REFER ANNEXURE III</i></p>	01

❖ Only manufacturers can take part in the bidding and should have 5 years' experience of making CNC, 4 axis, 5 Axis machines.

3. **Supply and Installation of Rotational and translational stage for US/PA vascular scanning and imaging**

01

TECHNICAL SPECIFICATIONS:

- OVERALL SIZE : LXWXH : 400X370X800
- STRUCTURE: ALUMINIUM BLACK ANODISED
- PARTS CONNECTED TO TANK MATERIAL: SS316
- VERTICAL TANK EXTENSION SHAFT MATERIAL: SS316
- VERTICAL MOVEMENT (Z) : 90MM
- SERVO MOTOR AND PRECISION BALLSCREW TO BE USED.
- PRECISION ROLLING GUIDEWAYS
- TANK INSIDE DIA @310MM AND THICK:10MM
- ROTATING ASSEMBLY: PRECISION HOLLOW SPINDLE ASSEMBLY TO SECURELY HOLD THE TANK AND STEEL PIPE. SHOULD HAVE WATER DRAINAGE PORT FROM BOTTOM
- Feed back stepper MOTOR WITH HIGH RESOLUTION ENCODER (MIN 100000 PPR) ring TO BE CONNECTED TO THE SPINDLE USING BELT AND PULLEY.
- MOTOR SHOULD BE ABLE TO ROTATE THE TANK FILLED WITH WATER TO PRECISELY PROGRAMMED LOCATION

❖ *FOR IMAGE – KINDLY REFER ANNEXURE IV*

4.	<p>Supply and Installation of X-Y- STAGE FOR POSITIONING OF R A T SCANNER</p> <p><u>TECHNICAL SPECIFICATIONS:</u></p> <ul style="list-style-type: none"> ➤ X-Y- STAGE FOR POSITIONING OF R A T SCANNER ➤ MATERIAL: MS/ALUMINIUM POWDER COATED ➤ LM GUIDES AND BALLSCREW ASSEMBLY FOR PRECISE MOVEMENT <ul style="list-style-type: none"> - STROKE X AXIS : 80MM - STROKE Y AXIS : 80MM - Weight carrying capacity: 300kg - DIMENSIONS: 675X675X150 ➤ Compatible Stepper motor, step resolution 100um ❖ <i>FOR IMAGE – KINDLY REFER ANNEXURE IV</i> 	01
----	--	----

A) IMPORTANT NOTES:-

- I. **This is a domestic Tender according to the DPIIT Order dated 15/07/2017 and subsequent amendments to the order for Public Procurement Preference & PROVISION FOR LOCAL SUPPLIERS TOWARDS PREFERENCE TO MAKE IN INDIA. Bidders should also give details of Localtions(s) ;at which the local value addition is made. Bidders are requested to furnish the declaration regarding local content/locations in Annexure II through CPPP portal.**
- II. **Restriction under Rule 144 (xi) of the General Financial Rules (GFRs). 2017 under sub clause 3, in terms of DOE, MoF No. F.18/37/2020-PPD dated: 8th February, 2021:**
 - (i) A bidder is permitted to procure raw material, components, sub-assemblies etc. from the vendors from countries which shares a land border with India. Such vendors will not be required to be registered with the Competent Authority, as it is not regarded as "sub-contracting".
 - (ii) However, in case a bidder has proposed to supply finished goods procured directly/indirectly form the vendors from the countries sharing land border with India, such vendor will be required to be registered with the Competent Authority.
- III. **The online updated Price BOO is in INR format. Bids are invited in INR only against domestic tender.**
- IV. **The Online bids should be submitted directly by the original manufacturer/supplier/OEM, the OEM is required to furnish certificate to this effect. If quotation is submitted/filled by any representative/ agent/dealer then they must upload a Authorization Authority certificate from the principal company/OEM.**
- V. **All MSME/NSIC/Startup Units shall be considered as per provisions/rules prescribed by Govt of India.**
- VI. **Auto-extension of last date for E-Tenders has been activated by CPP Portal which has participation 2 bids or less.**
- VII. **Warranty: Minimum one year, if not mentioned above.**

B) SUBMISSION OF TENDER

- I. All bid/ tender documents are to be uploaded online at Central Public Procurement portal i.e. <https://eprocure.gov.in/eprocure/app> only and in the designated cover/ part on the website against tender ID. Tenders/ bids shall be accepted only through online mode and no manual submission of the same shall be entertained except tender fee and Annexure I (Bid Securing Declaration Form). Late tenders will not be accepted.
- II. The online bids shall be opened at the office of the Assistant Registrar (S&P), IISER Mohali, on above given date and time. If the tender opening date happens to be on a holiday or non-working day due to any other valid reason, the tender opening process will be attended on the next working day at same time and place. IISER Mohali will not be responsible for any error like missing of schedule data while downloading by the Bidder.
- III. **The bidder shall upload the tender documents/NIT duly filled in and stamped by the authorized signatory on each and every page along with all necessary Annexures as per NIT. Tender not submitted/uploaded in the prescribed form and as per the tender terms and conditions shall be liable for rejection.**
- IV. The bidder shall upload scanned copy of the PAN Card, GST number duly signed and stamped. **Also bidders applying against “MSME/NSIC Certificate” issued by appropriate Authority, should ensure that the certificate attached is relevant to the area of service/supply. For example, If the tender is for “supply & installation of Desktop” the certificate should be issued for activity/area of “Computer supply and services activities etc” otherwise bid will be REJECTED without notice.**
- V. E-procurement system ensures locking on the scheduled date and time. The system will not accept any bid after the scheduled date and time of submission of bid.

C) INSTRUCTIONS

1. The Online bids should be submitted directly by the original manufacturer/supplier, If quotation is submitted/filled by any representative/agent/dealer then they must upload a authority certificate from the principal company for quoting the price otherwise such quotation will be rejected.
2. The quantity mentioned in this inquiry is and shall be deemed to be only approximate and will not in any manner be binding on the Institute. Before the deadline for submission of the online bid, IISER Mohali reserves the right to modify the tender document terms and conditions. Such amendment/modification will be notified on website against said tender ID.
3. The rates offered should be FOR Chandigarh/Mohali in case of firms situated outside Chandigarh/Mohali, and free delivery at the Institute premises in case of local firms. Conditional tenders will be summarily rejected.
4. In case of Ex-godown terms the amount of packaging forwarding freight etc. should clearly be indicated by percentage or lump sum amount. Institute has policy not to make any advance payments towards any purchase, Letter of credit can be opened if required.
5. THE INSTITUTE IS EXEMPTED FROM CUSTOM DUTY under notification no- TU/V/RG-CDE(1062)/2016 CUSTOM DT. 12.10.2018.
6. Tax: This Institute is not exempted from the payment of GST. The current rate (i.e. percentage of GST should be clearly indicated included or excluded) wherever chargeable. Please also provide/upload the copy of PAN card, GST number duly self-attested.
7. Concessional GST is applicable for all the items purchased for Research labs vide Ministry of Finance, notification no. 45/22017 dated 14.11.2017 and 47/2017 dated 14.11.2017.
8. Bidder/s quoting in currency other than **Indian Rupee (INR)** should explicitly mention the currency

in which tender quoted wherever applicable in Technical Bid along the tender documents.

9. The delivery period should be specifically stated. Earlier delivery will be preferred.
10. **The firms are requested to provide/upload detailed description and specifications together with the detailed drawings, printed leaflets & literature of the article quoted** and also should enclose **Technical Compliance Sheet**. The name of the manufactures and country of manufacture should also invariably be stated. In the absence of these particulars and documents, the quotation is liable for rejection. Tenders not accompanied by detailed information as required, are liable to be rejected.
11. If any information furnished by the bidder is, at any stage found to be incorrect, false or fabricated, the Institute/purchaser shall have the absolute right to forfeit the security deposits, in addition to cancellation of contract, forfeiting the warranty/performance Guarantees and other action in accordance with law, such as black-listing, risk & cost etc.
12. Validity of offer: 90 days.
13. The warranty period after satisfactory installation should be mentioned and firm should replace all manufacturing defect parts/ whole item under warranty without any extra cost including clearance, freight, taxes. Security deposit/Performance Bank Guarantee @ 3% of the value of supply order, in terms of *Ministry of Finance, DoE, GOI, OM. No. F.9/42020-PPD dated 12-11-2020 and extension of vide circular no. F.9/4/2020-PPD dated: 30th December 2021* as per norms may be sought from the firms.
14. The right to reject all or any of the quotation and to split up the requirements for itemized L-1 or relax any or all the above conditions without assigning any reason is reserved by the IISER Mohali. For any corrigendum and addendum please be checked the website <https://eprocure.gov.in/eprocure/app> and <http://www.iisermohali.ac.in>
15. Disputes, if any, shall be subject to jurisdiction in the court of Mohali only.

सहायक कुलसचिव (क्रय तथा भंडार)
Assistant Registrar (Stores & Purchase)

ANNEXURE-I

Bid Securing Declaration Form

Date: _____ E-Tender No. _____ E-Tender ID _____

To (insert complete name and address of the purchaser)
I/We. The undersigned, declare that:

I/We understand that, according to your conditions, bids must be supported by a Bid Securing Declaration.

I/We accept that I/We may be disqualified from bidding for any contract with you for a period of one year from the date of notification if I am /We are in a breach of any obligation under the bid conditions, because I/We

- a) have withdrawn/modified/amended, impairs or derogates from the tender, my/our Bid during the period of bid validity specified in the form of Bid; or
- b) having been notified of the acceptance of our Bid by the purchaser during the period of bid validity (i) fail or reuse to execute the contract, if required, or (ii) fail or refuse to furnish the Performance Security, in accordance with the Instructions to Bidders. I/We understand this Bid Securing Declaration shall cease to be valid if I am/we are not the successful Bidder, upon the earlier of (i) the receipt of your notification of the name of the successful Bidder; or (ii) thirty days after the expiration of the validity of my/our Bid.

Signed: (insert signature of person whose name and capacity are shown)
in the capacity of (insert legal capacity of person signing the Bid Securing Declaration)

Name: (insert complete name of person signing he Bid Securing Declaration)
Duly authorized to sign the bid for an on behalf of (insert complete name of Bidder)

Dated on _____ day of _____ (insert date of signing)
Corporate Seal (where appropriate)

(Note: In case of a Joint Venture, the Bid Securing Declaration must be in the name of all partners to the Joint Venture that submits the bid)

PS: *Furnish the above in original stationary/letter head with signed and sealed.*

ANNEXURE-II

SELF DECLARATION

[For Local Content of Products, Services or Works]

To,

The Director

Indian Institute of Science Education and Research

(Established by Ministry of Education, Govt. of India)

Sector-81, Knowledge city, PO-Manauli,

SAS Nagar Mohali-140306, Punjab

1. With reference to Order no P.-45021/2/2017 PP (BE-II) dated 04.06.2020 and No. P-45021/2/2017-PP(BE-II) dated 16-09-2020 of DPIIT, Ministry of Commerce and Industry, Govt. of India, we fall under the following category of supplier (please tick the correct category) for the items for which this tender has been floated and being bided.

- Class I local supplier – has local content equal to more than 50%. Local contents added at _____ (name of location).
- Class II local supplier – has local content more than 20% but less than 50%. Local contents added at _____ (name of location).
- Non-local supplier – has local content less than or equal to 20%. Local contents added at _____ (name of location).

2. We are solely responsible for the abovementioned declaration in respect of category of supplier. False declarations will be in breach of the Code of Integrity under Rule 175(1)(i)(h) of the General Financial Rules for which we may can be debarred for up to 2 years as per Rule 151(iii) of the General Financial Rules along with such other actions as may be permissible under law.

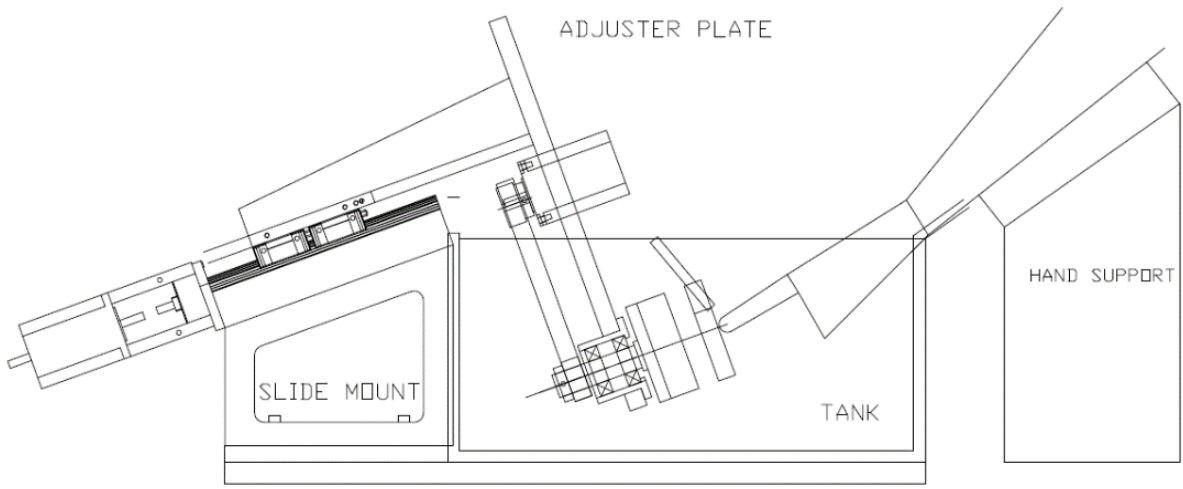
Signature & seal of the company

Name and address of the organization

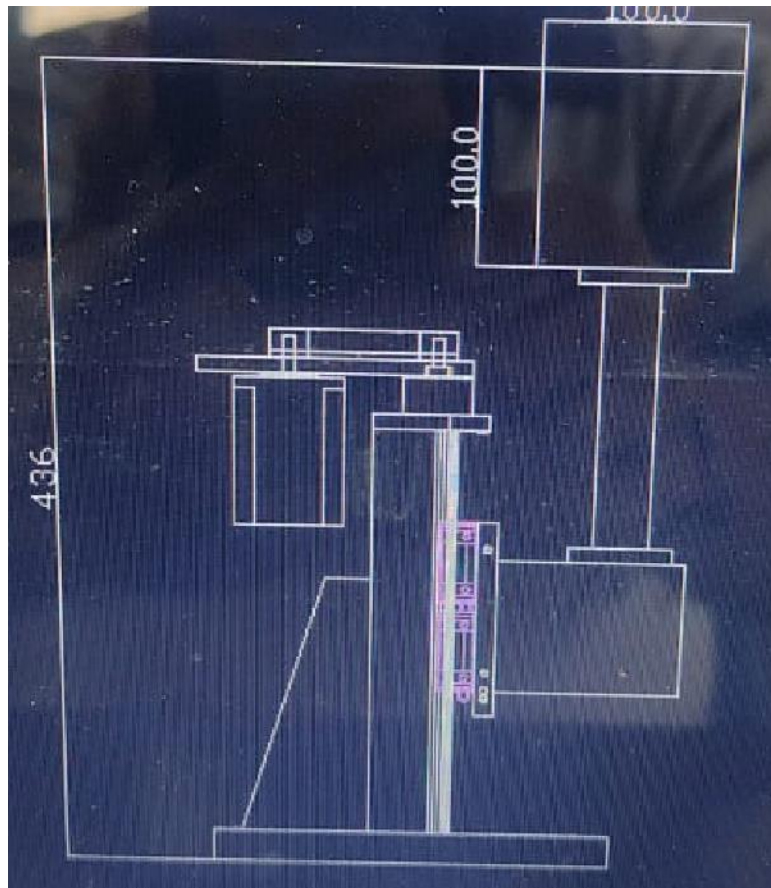
.....
.....
.....

Note: In cases of procurement for a value in excess of Rs. 10 crores, the 'Class-I local supplier' / 'Class-II local supplier' shall be required to provide a certificate from the statutory auditor or cost auditor of the company (in the case of companies) or from a practicing cost accountant or practicing chartered accountant (in respect of suppliers other than companies) giving the percentage of local content.

ANNEXURE-III



INCLINED FINGER SCANNER



ANNEXURE-IV

